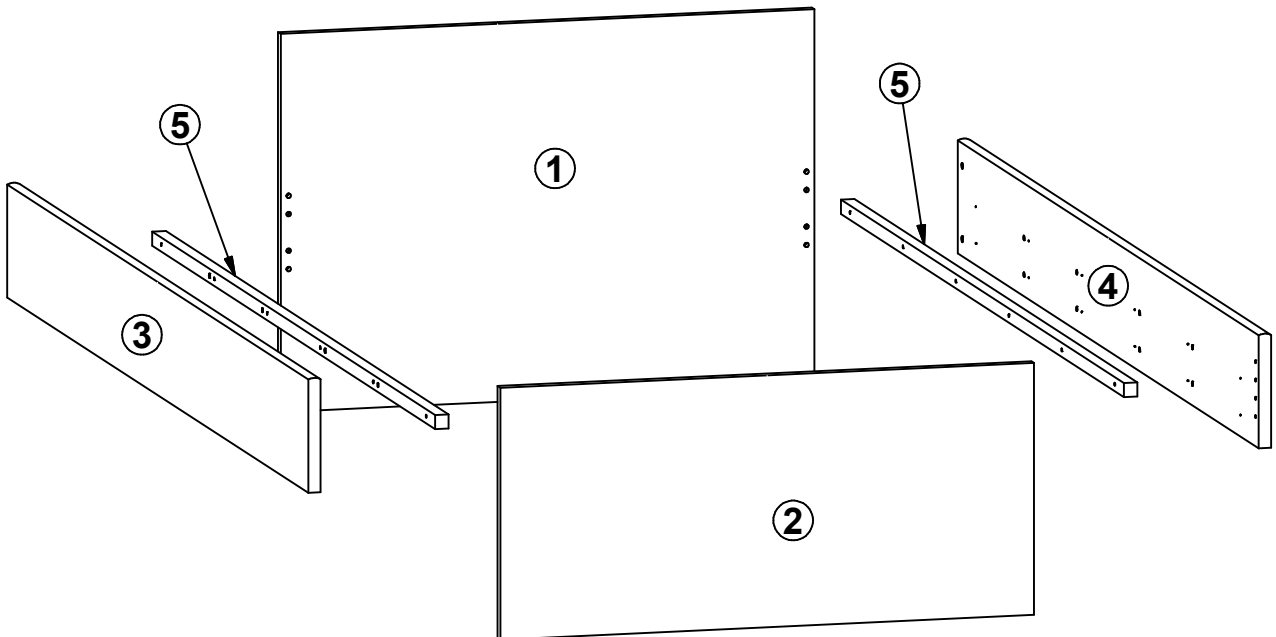
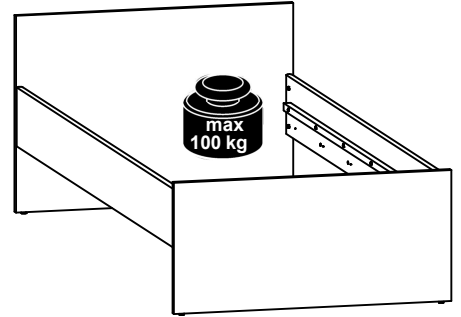
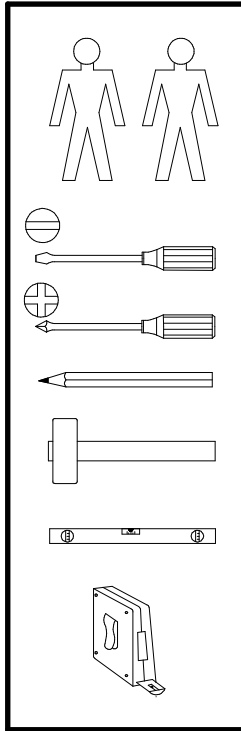
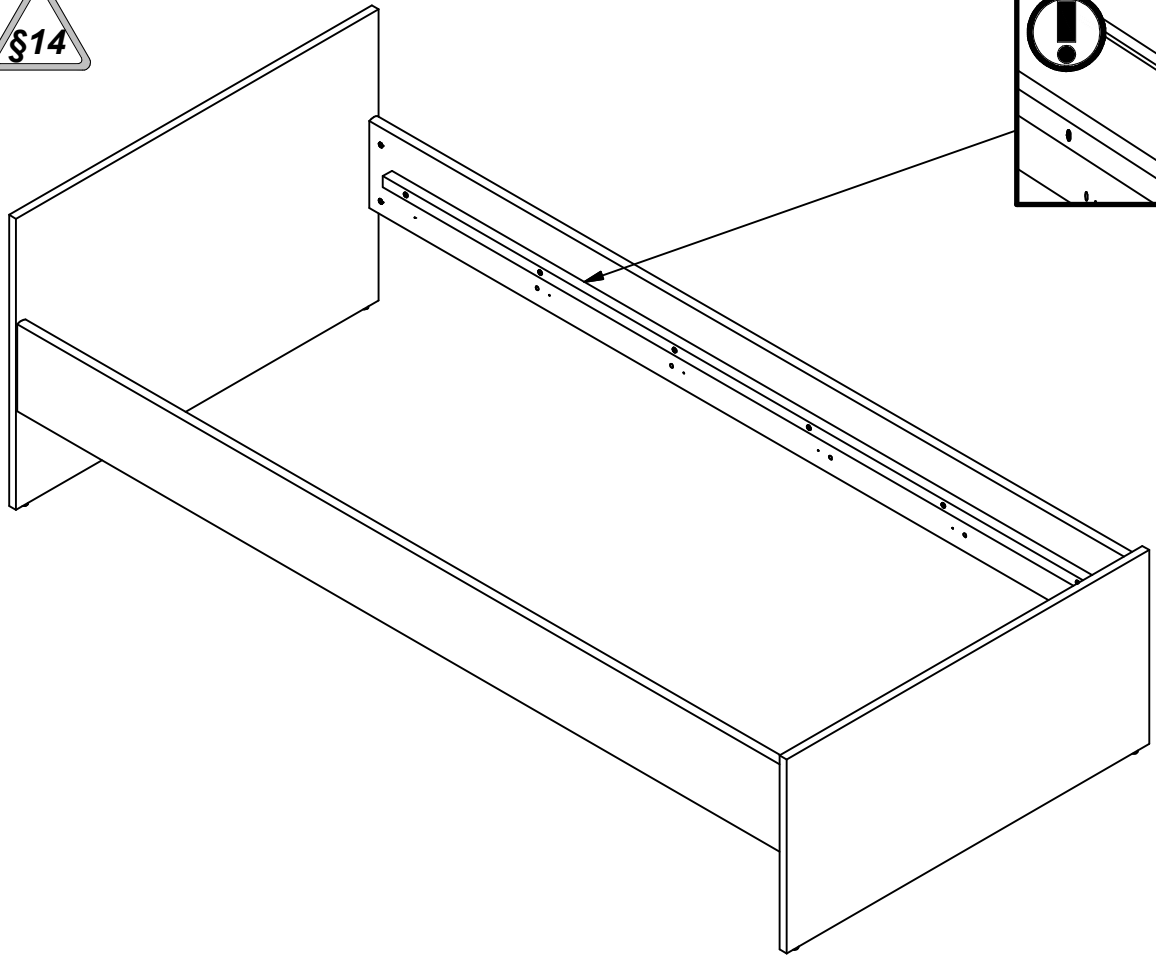


A	B	C	D
1	S435-0014	950	660 1/2
2	S435-0015	950	440 1/2
3	S435-1021	2000	200 2/2
4	S435-1022	2000	200 2/2
5	S435-7002	1880	25 2/2

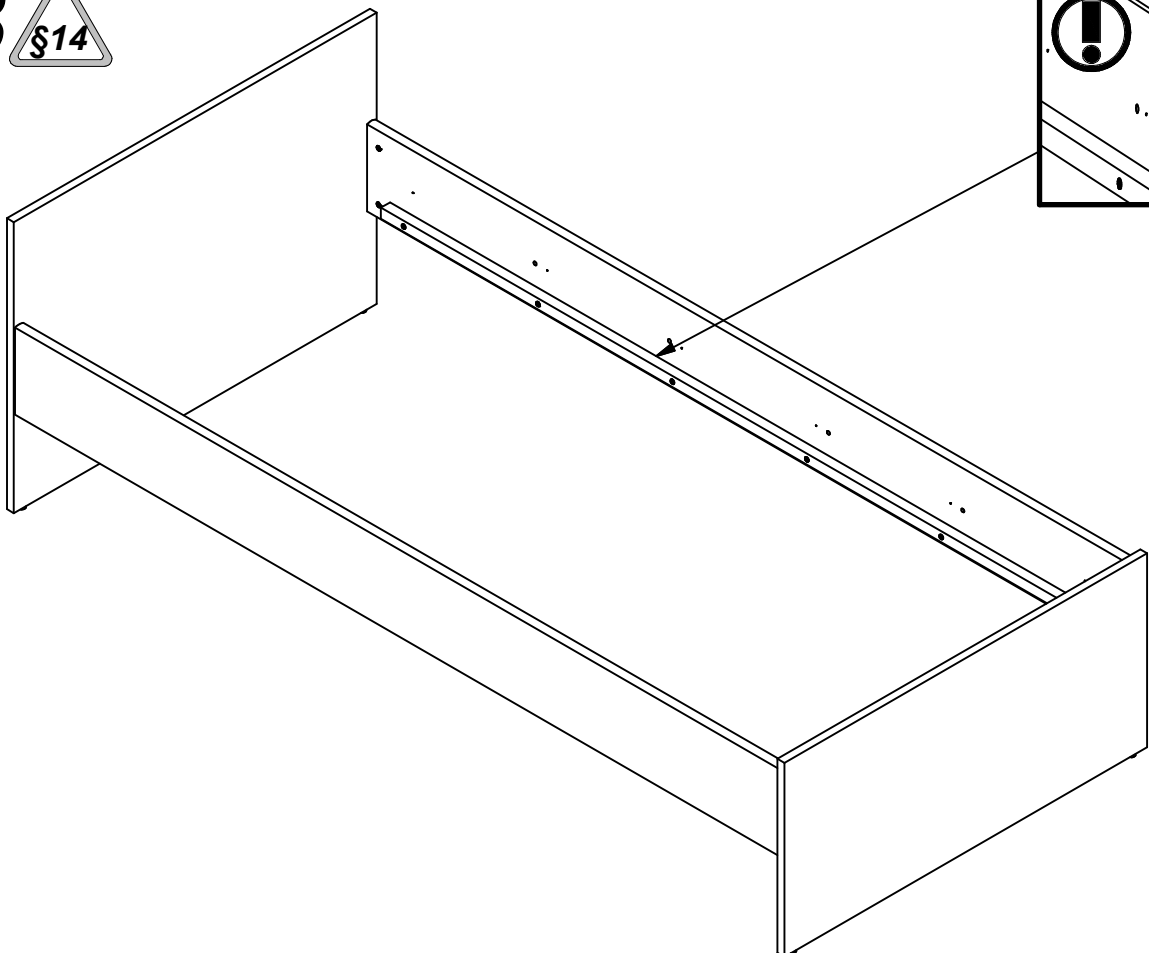


16x Ø6.3x13 mm e2	12x Ø8x30 mm f1	4x M6x60 mm j144	4x k1	2x 130x34x34/2 mm n63	12x Ø4x40 mm p10	6x Ø4x35 mm p6	4x Ø10x16 mm r43	1x 4 mm z1
--------------------------------	------------------------------	-------------------------------	-----------------	------------------------------------	-------------------------------	-----------------------------	-------------------------------	-------------------------

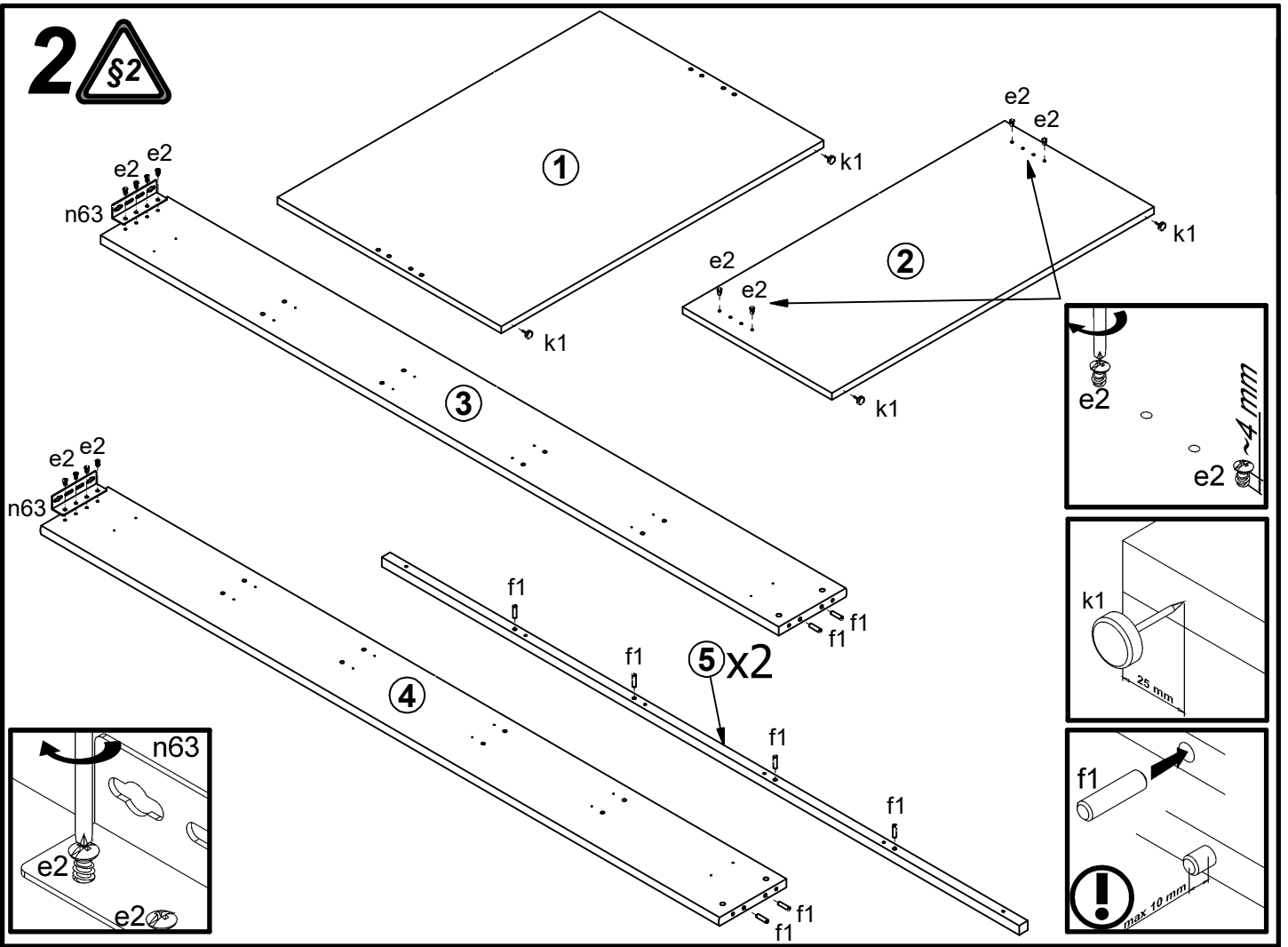
1A 



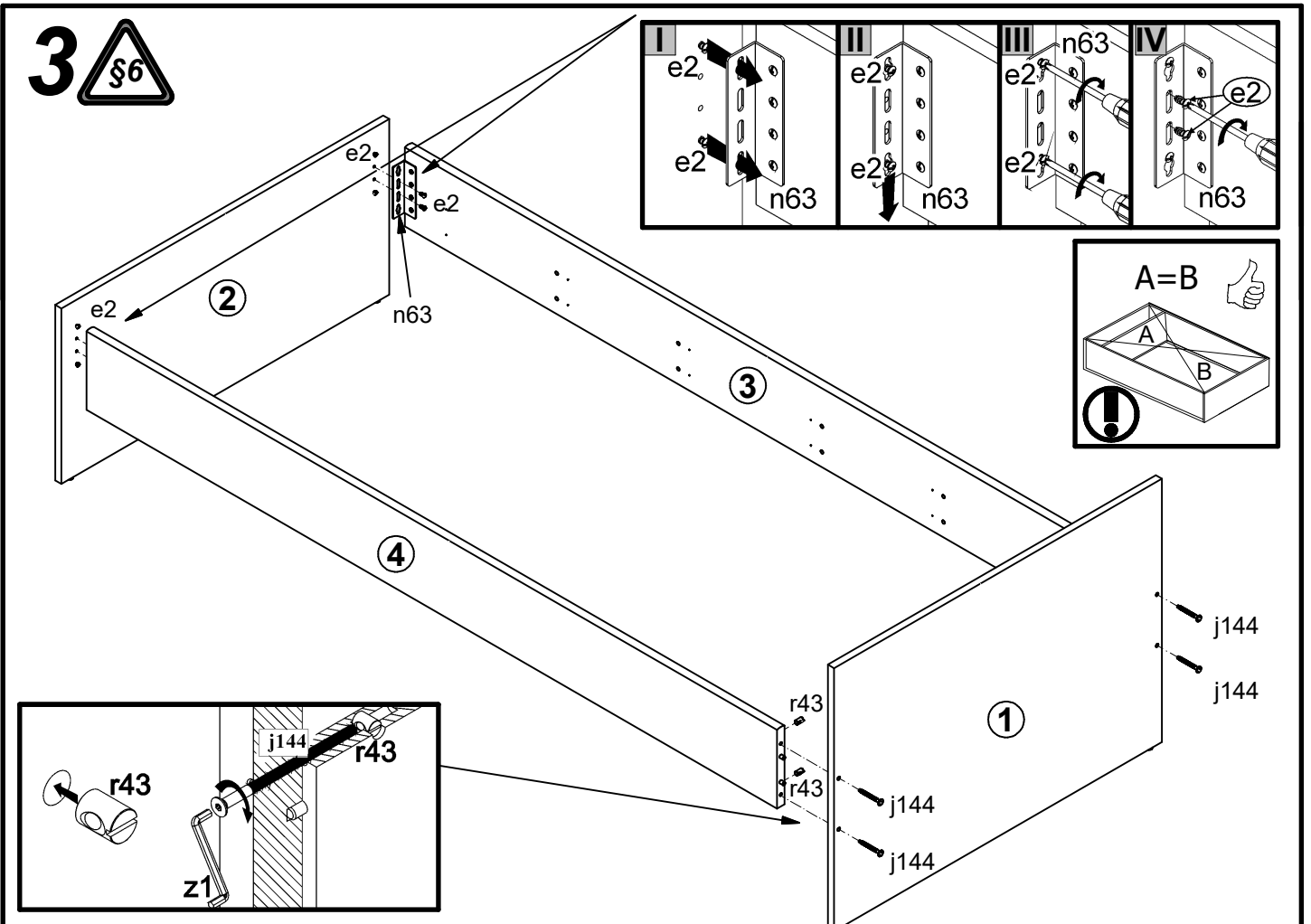
1B 



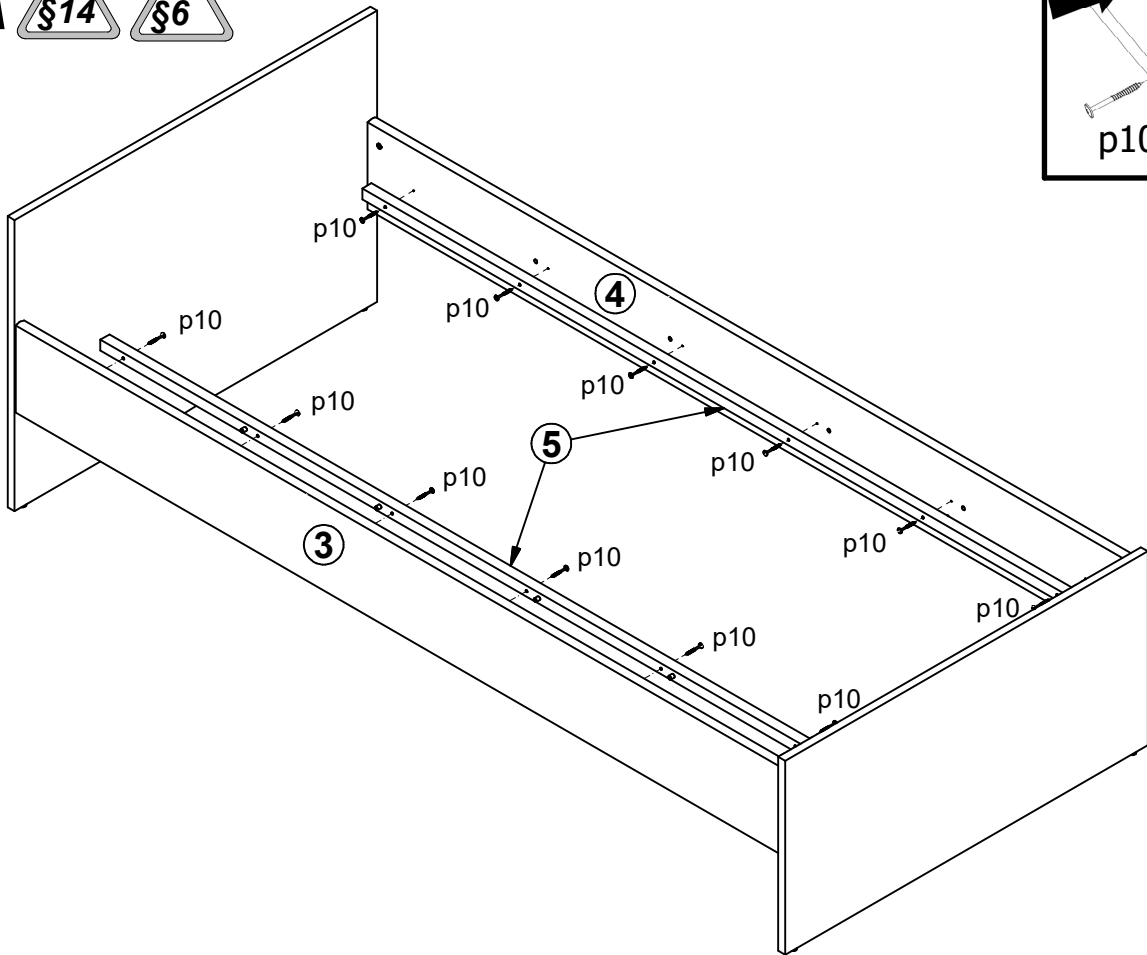
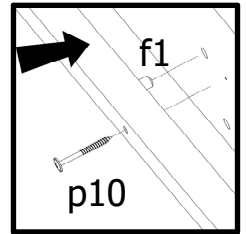
2



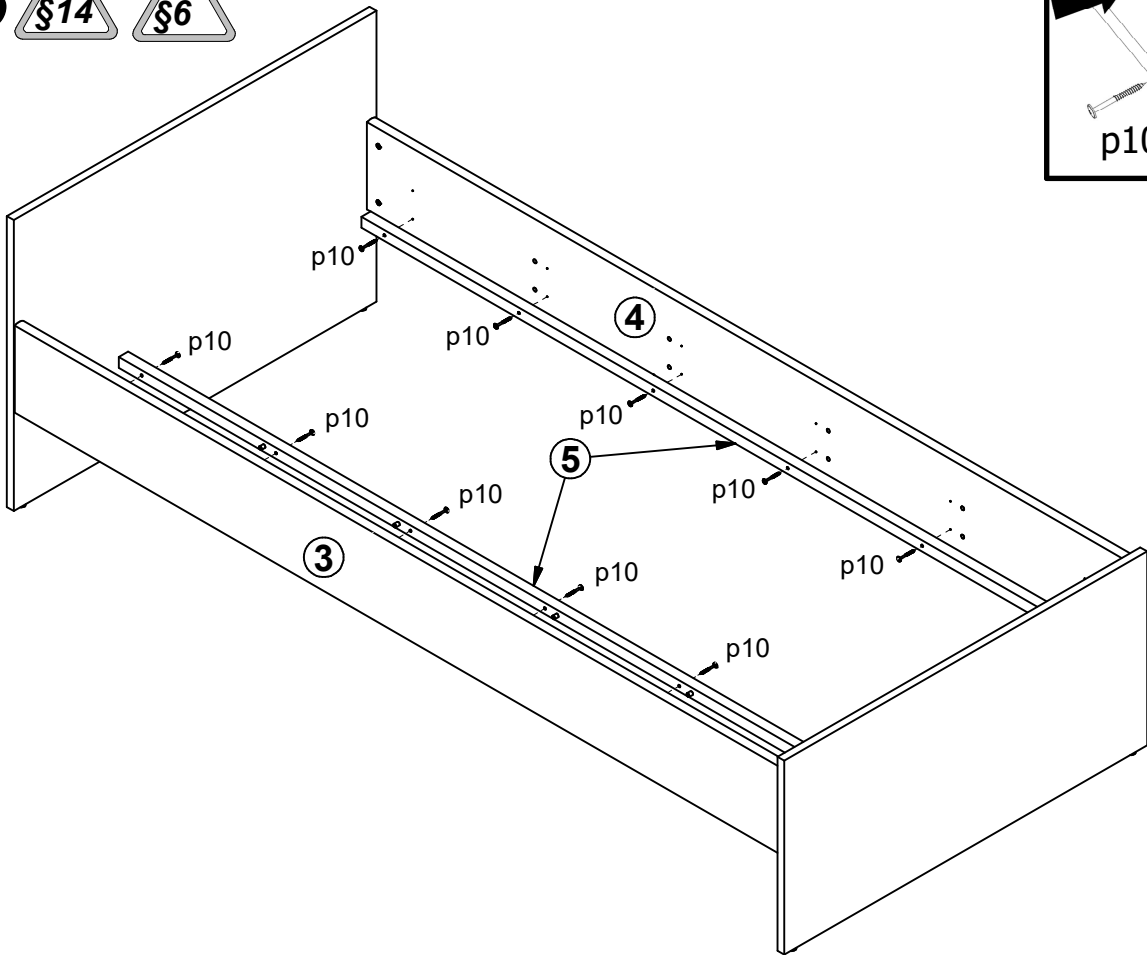
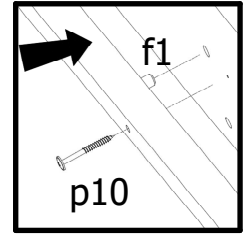
3



4A



4B



5 

