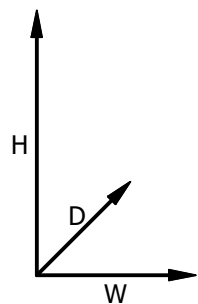
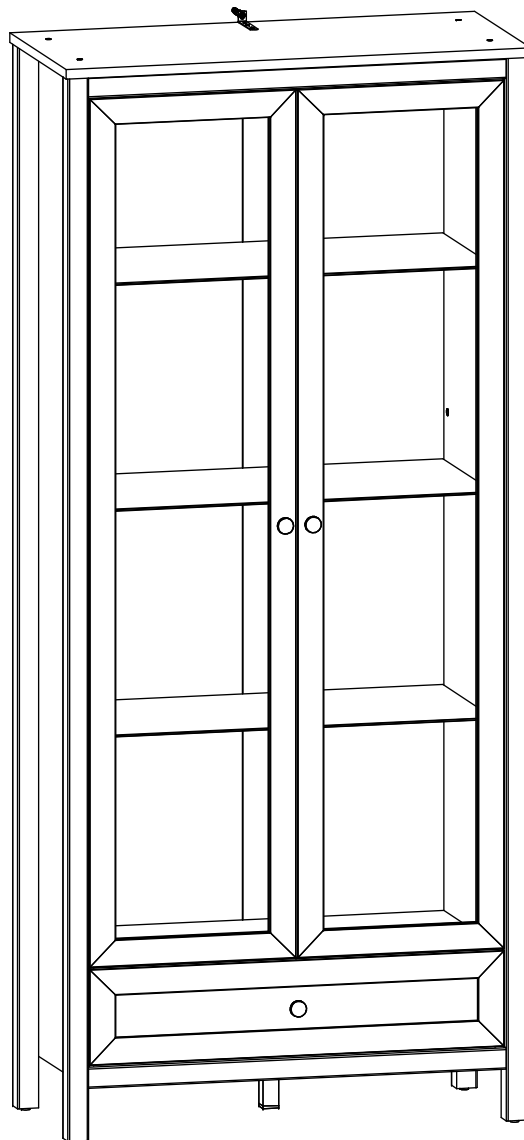
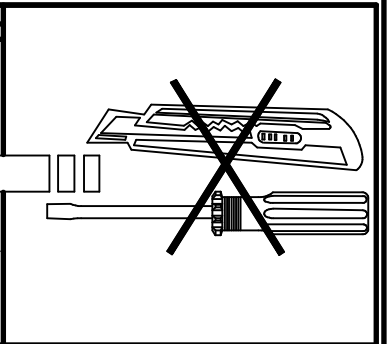
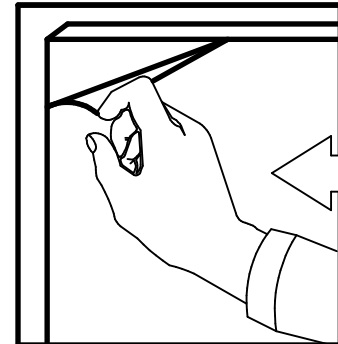
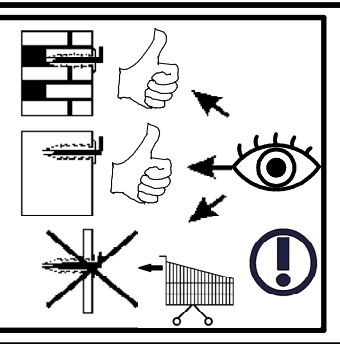
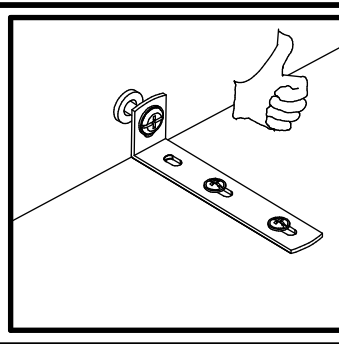
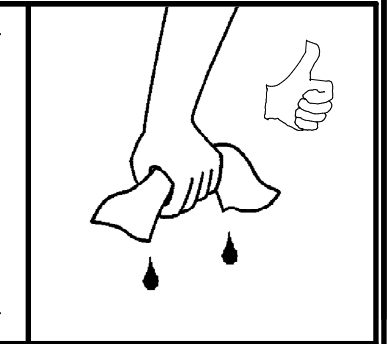
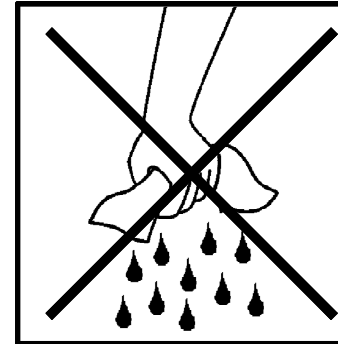
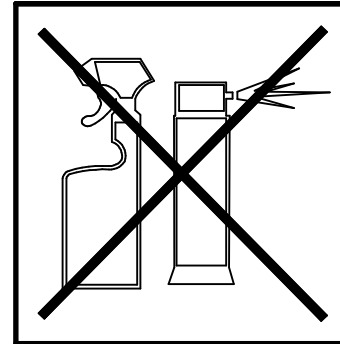
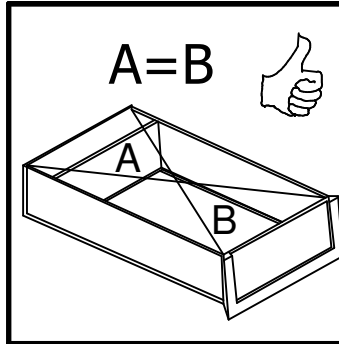
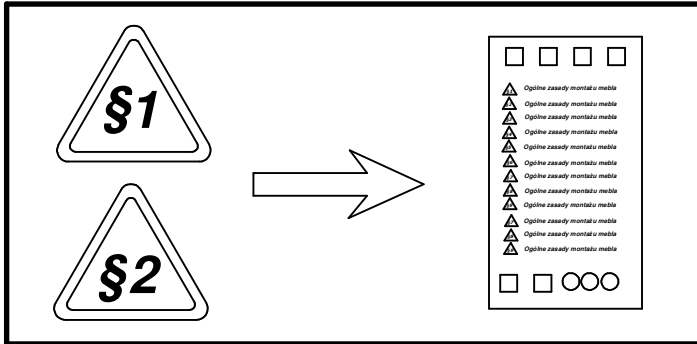
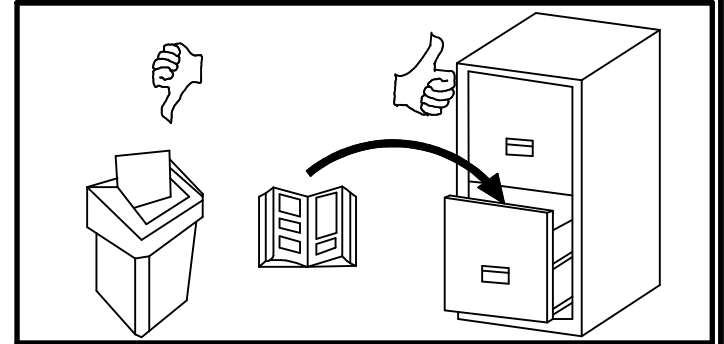
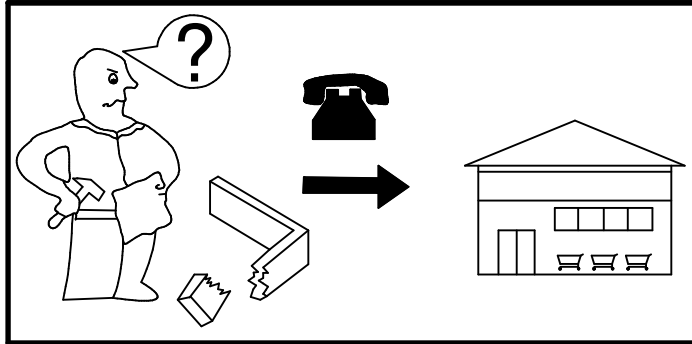
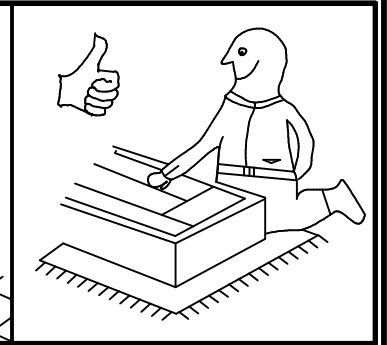
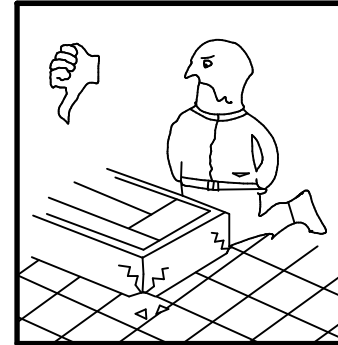
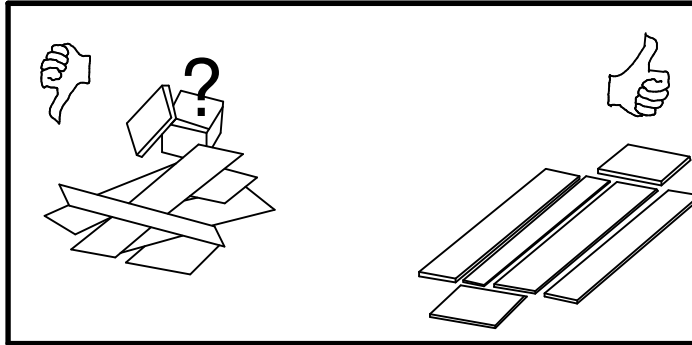
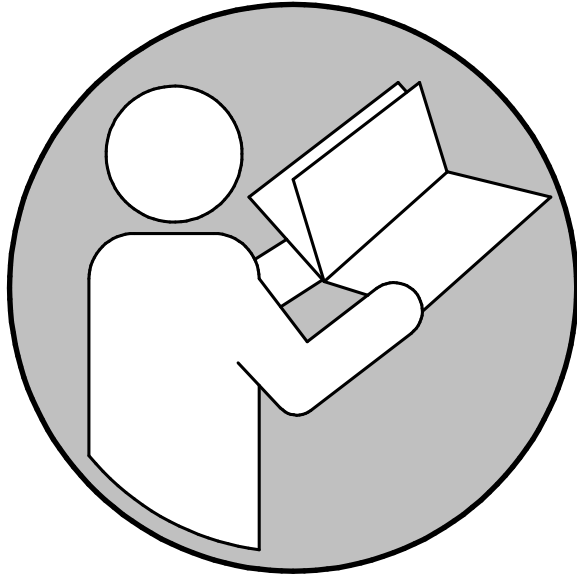


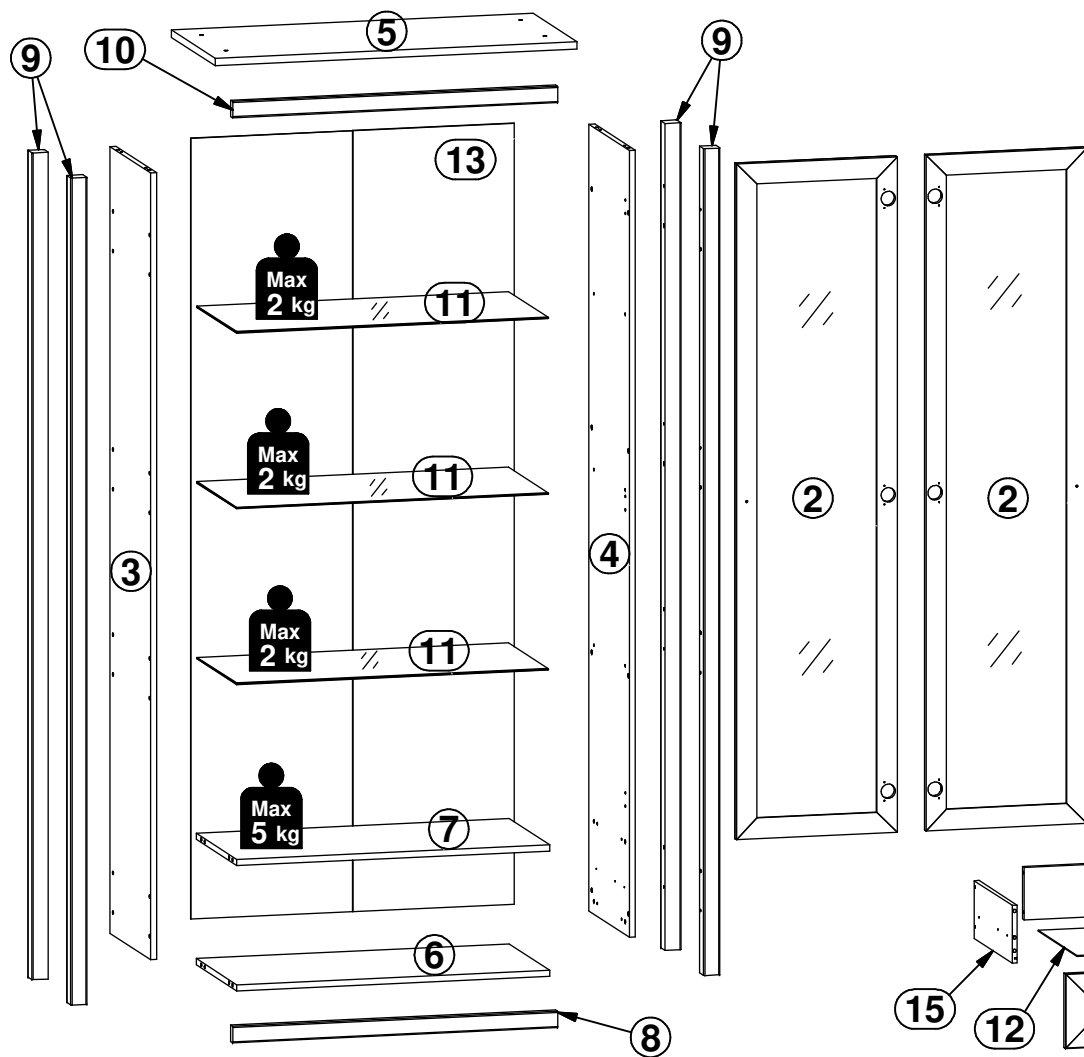
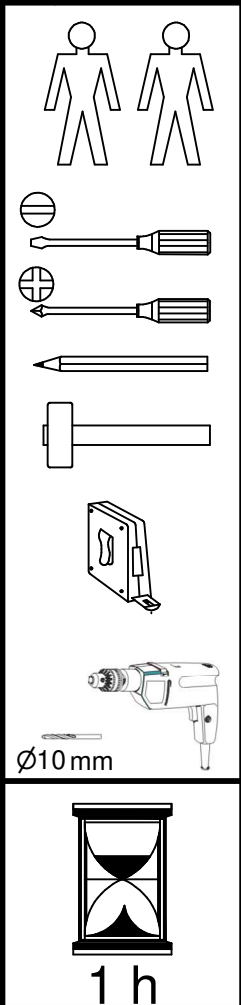
SALGA

S615-REG2W1S

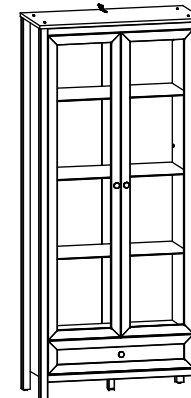


H - 2023 mm
W - 891 mm
D - 404 mm

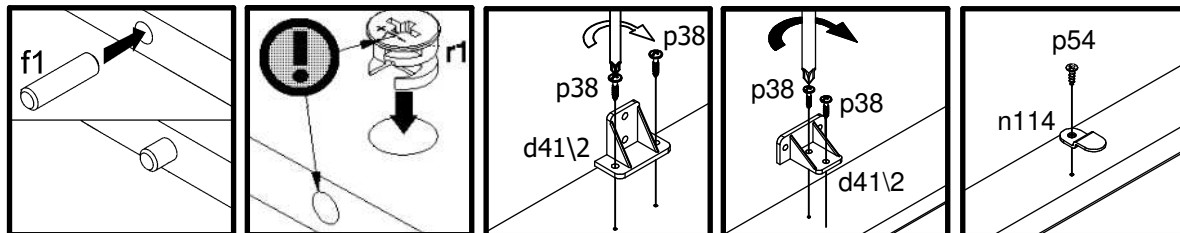
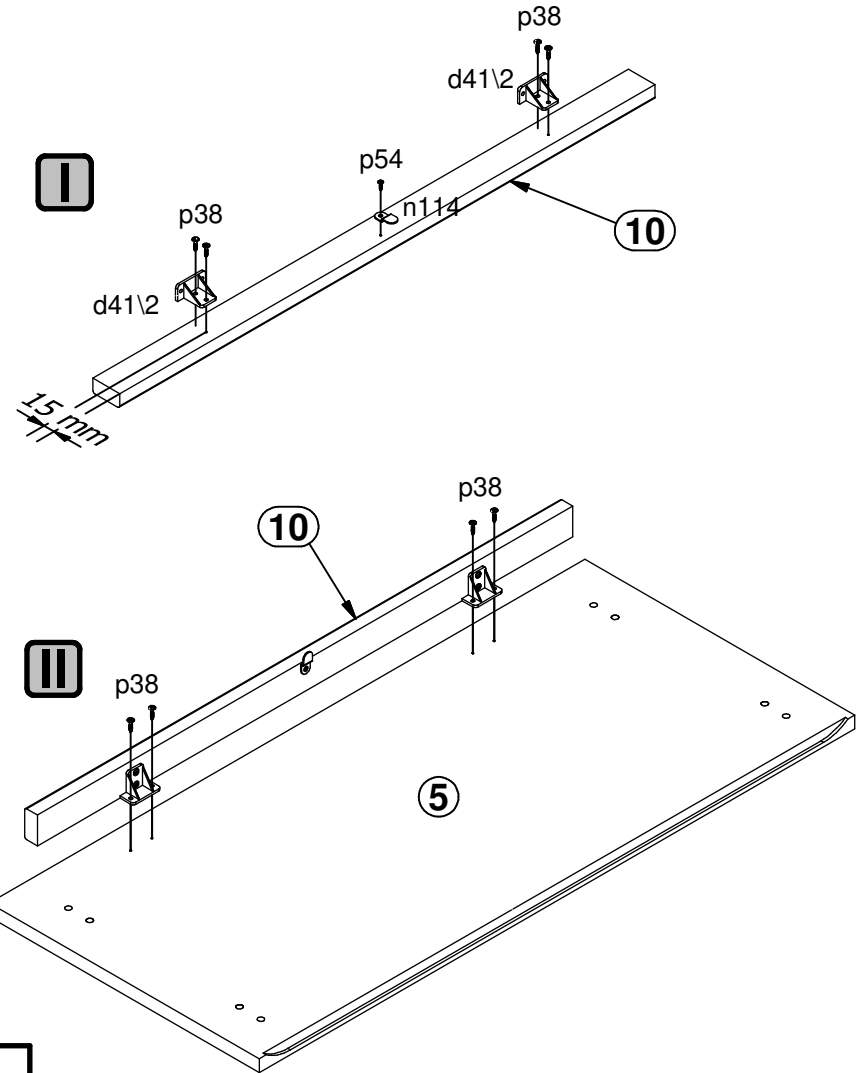
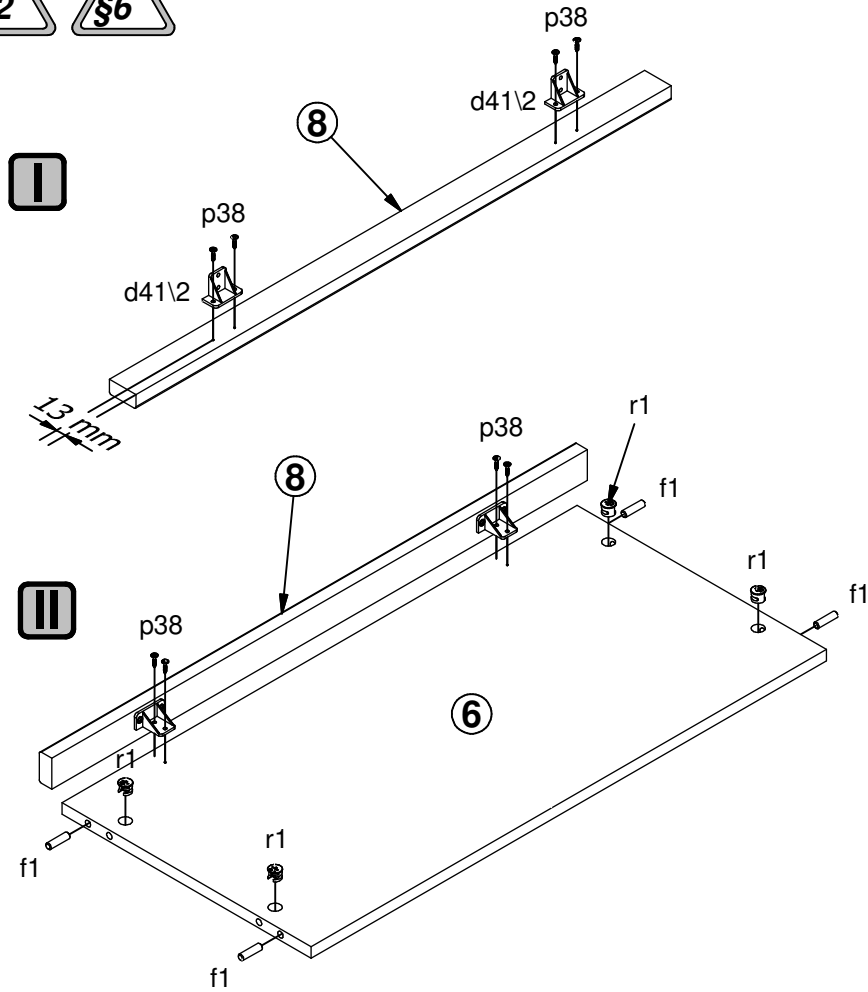



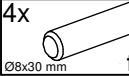

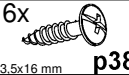




A	B	C (mm)			D
1	S615-0002	795	180	16	2/3
2	S615-0010	1634	396	16	1/3
3	S615-1017	1903	373	15	1/3
4	S615-1018	1903	373	15	1/3
5	S615-2006	891	404	18	2/3
6	S615-3003	771	373	15	2/3
7	S615-3016	771	373	15	2/3
8	S615-5016	801	40	19	3/3
9	S615-5020	2000	40	40	3/3
10	S615-5028	801	40	19	3/3
11	S615-5053	769	365	4	2/3
12	S615-9006	735	357	2,5	2/3
13	S615-9303	1889	797	2,5	1/3
14	STK-5003	725	127	15	2/3
15	WSK3-5005	350	140	12	1/3
16	WSK3-5006	350	140	12	1/3

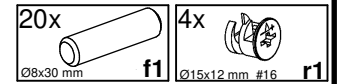
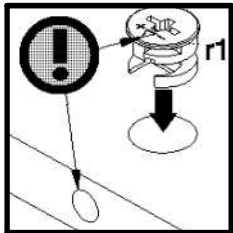
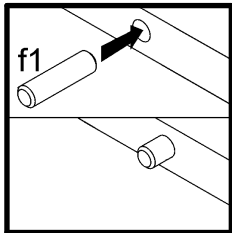
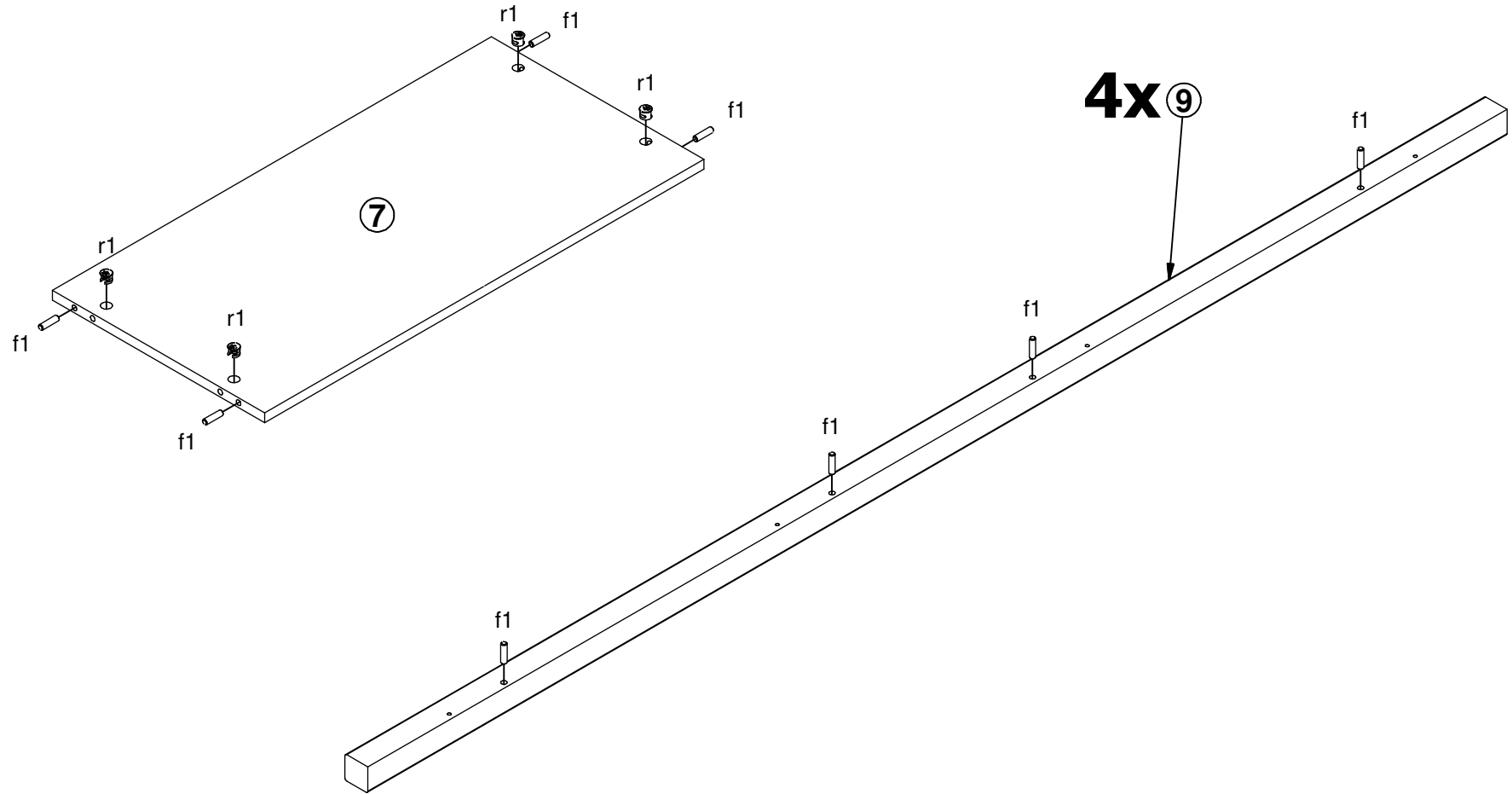


6x a83	6x b32	3x c601	12x d3	cm 0 1 2 3 4 5 6 7 8 9 10						4x d412	4x e1	16x e11	D 2/3
32x f1	4x f25	1x f35	2x j1	1x j125	4x k1	65x l1	1x n142	1x n114	4x o21	13x p140	1x p17	1x p54	
22x p38	15x p51	8x r1	2x r15	10x r42	12x s59	1x s96	1x t35	2x w1521	2x w1522	1x z1			

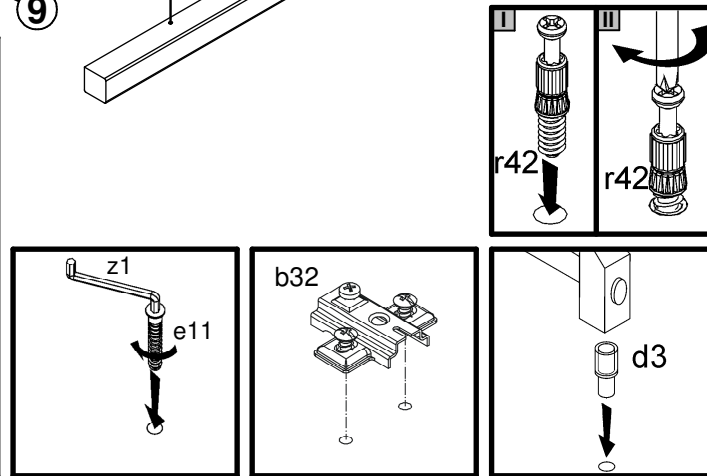
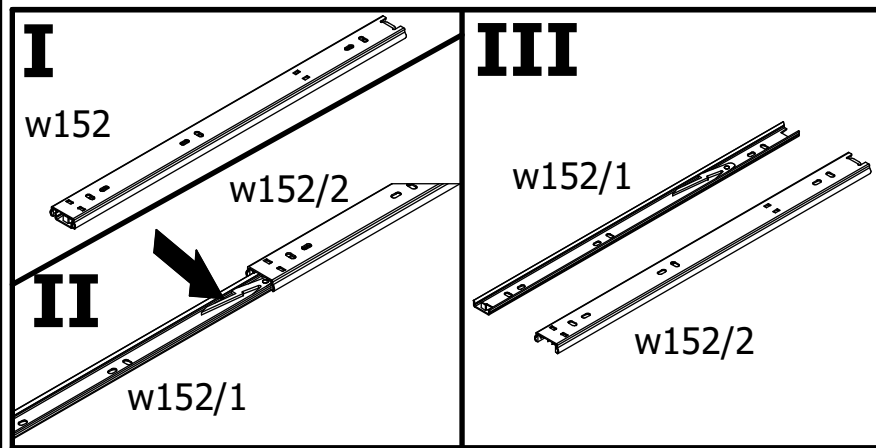
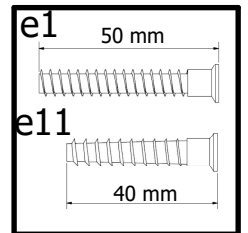
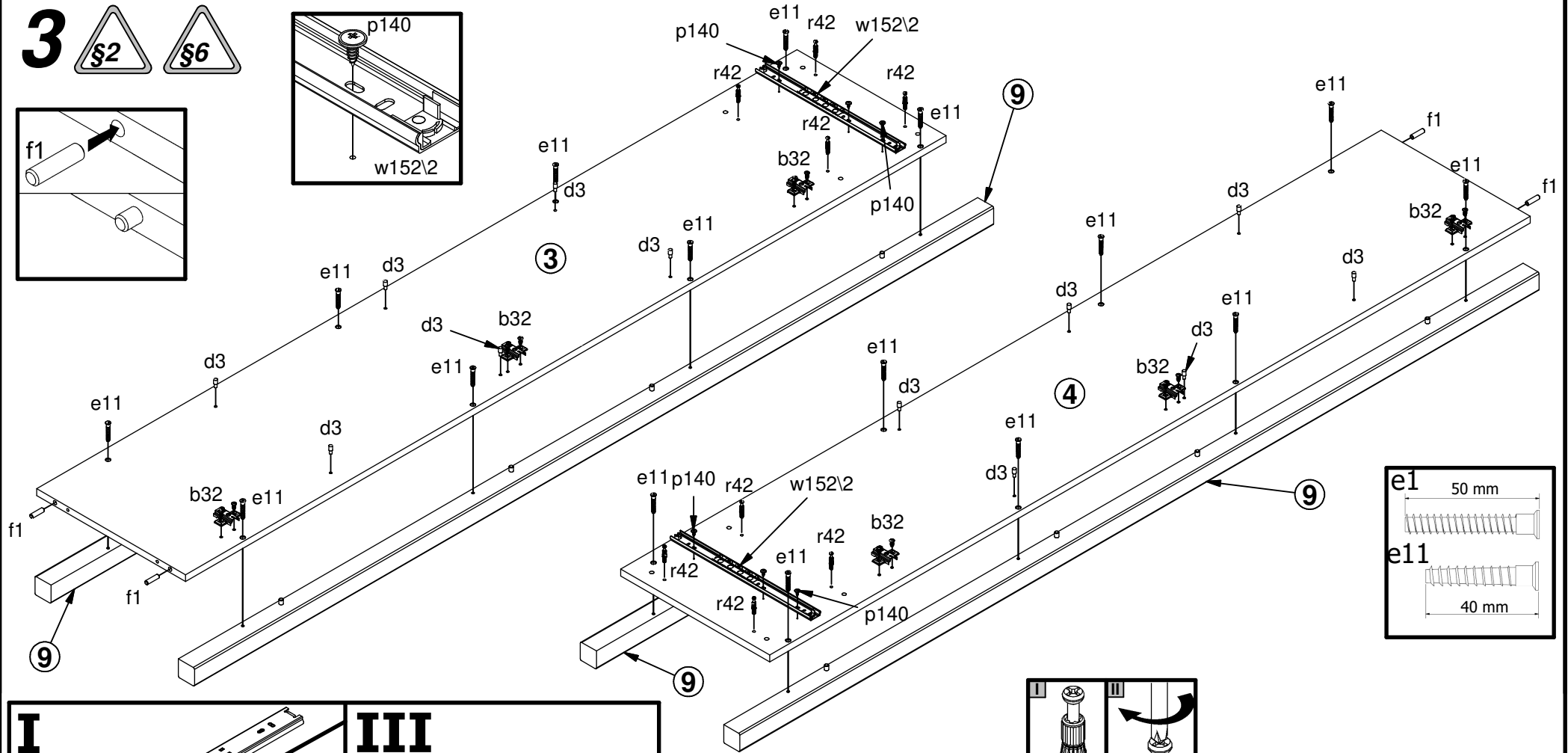
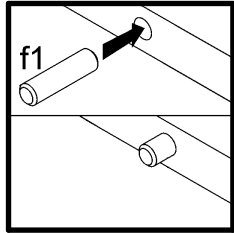
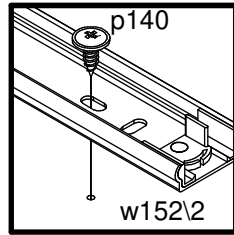




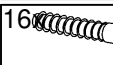
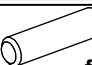



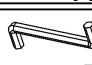
4x  d41\2	4x  f1	1x  n114
16x  p38 Ø3,5x16 mm	1x  p54 Ø3x12 mm	4x  r1 Ø15x12 mm #16

2 

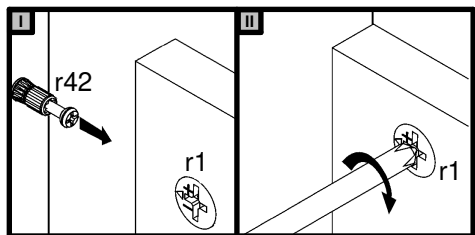
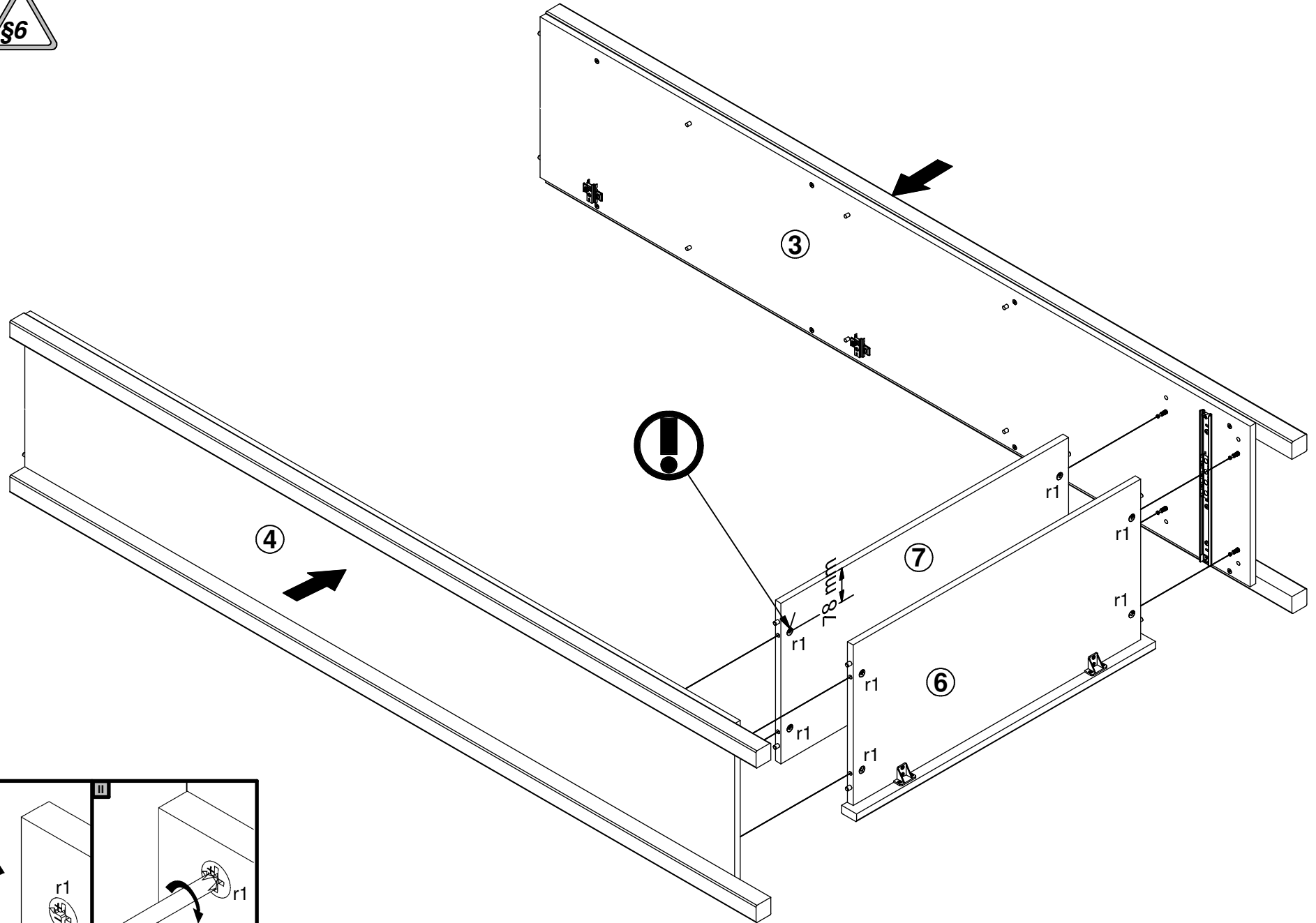


3  

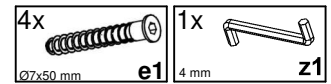
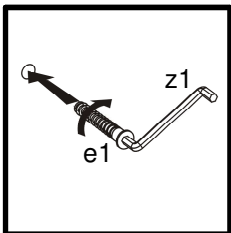
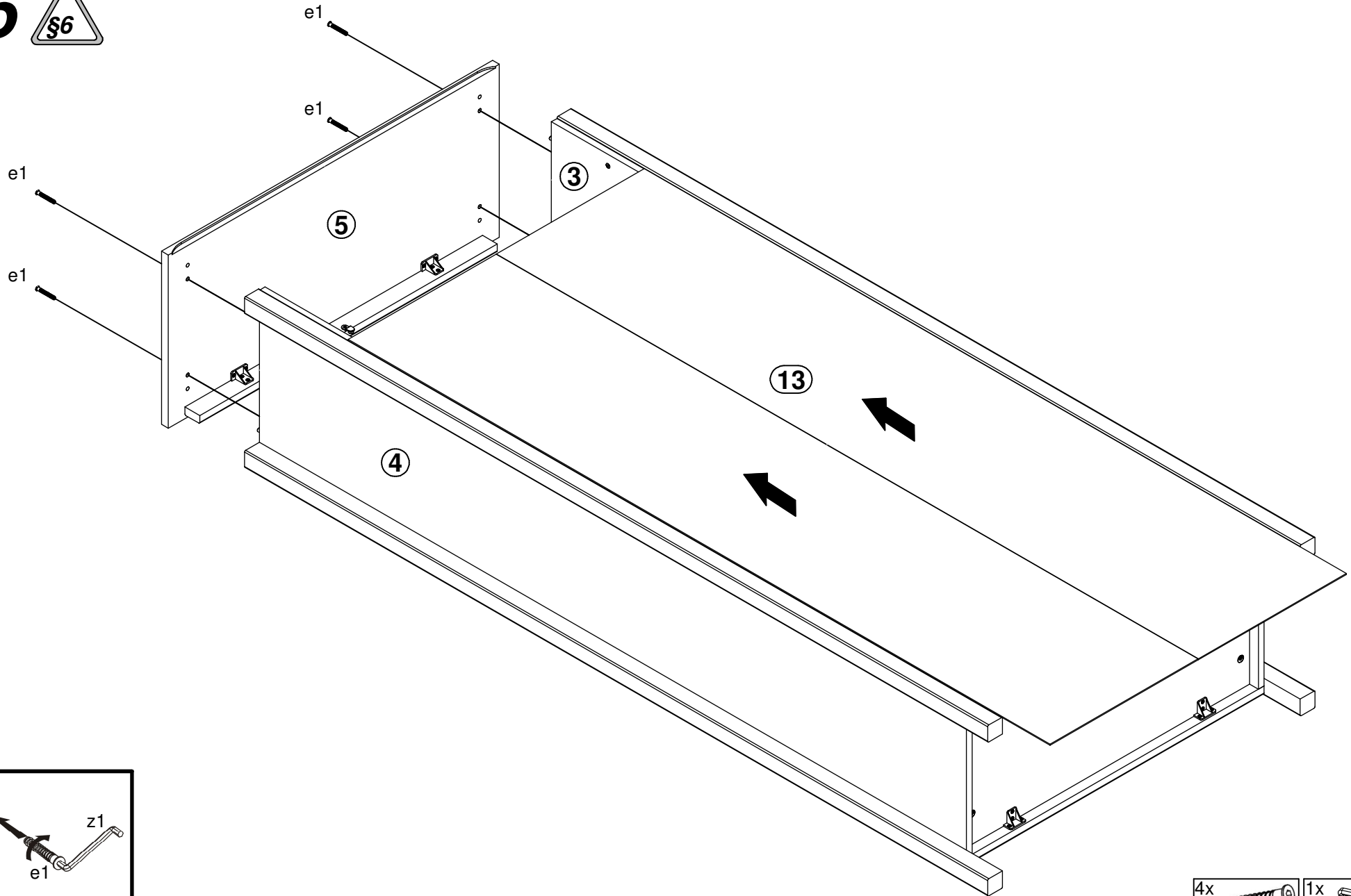


6x  b32	12x  d3 Ø5x17 mm
16x  e11 Ø7x40 mm	4x  f1 Ø8x30 mm
6x  p140 Ø3.5x12 mm	8x  r42 20/11
2x  w152/2 350/580 mm	1x  z1 4 mm

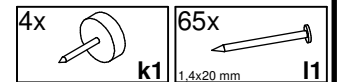
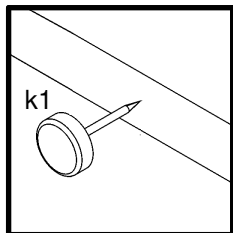
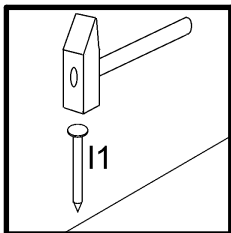
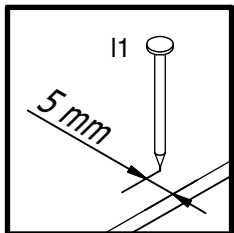
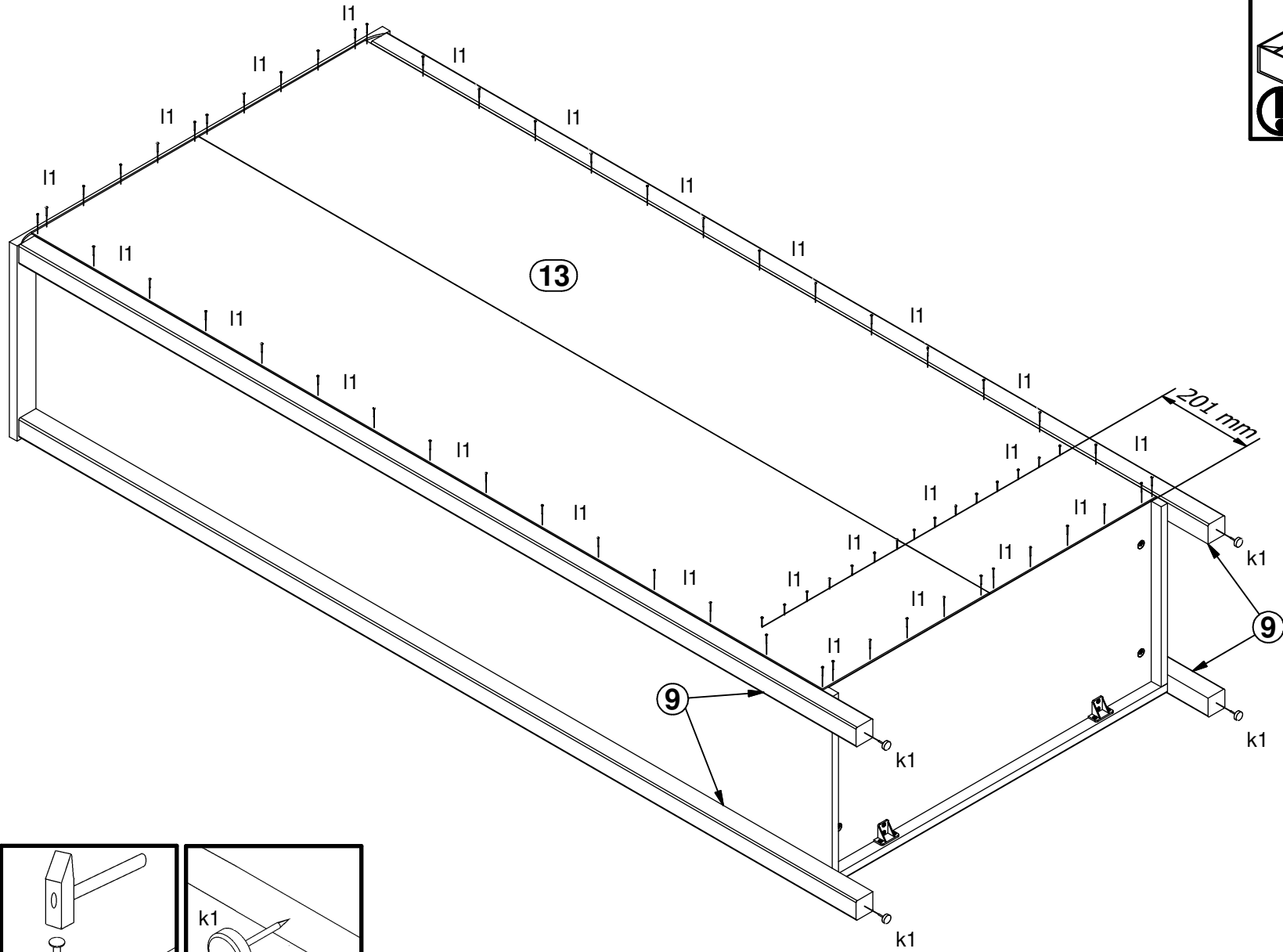
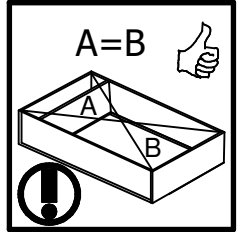
4 



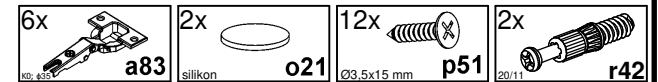
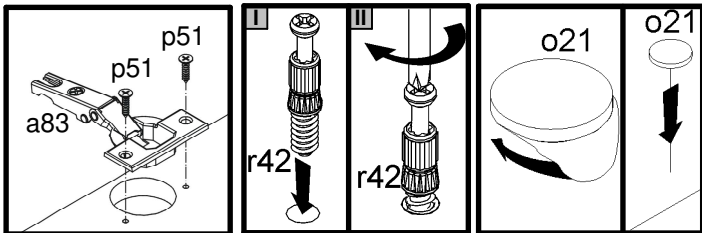
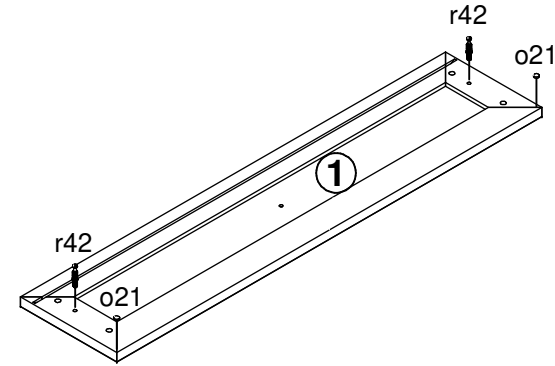
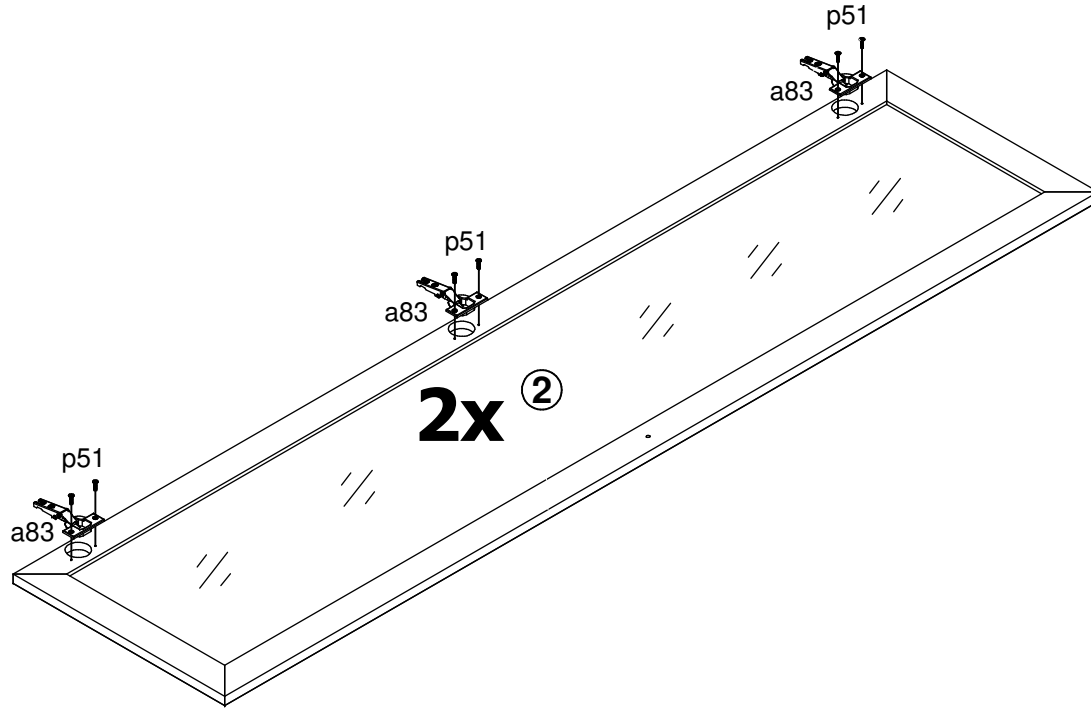
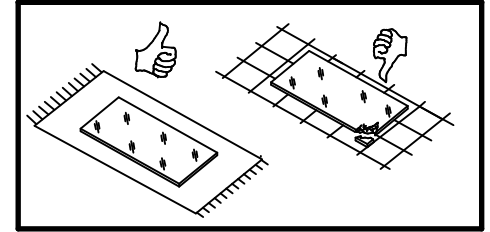
5 



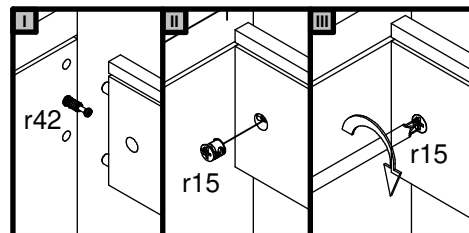
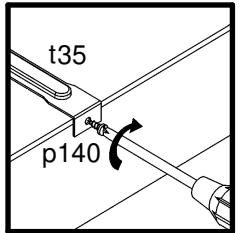
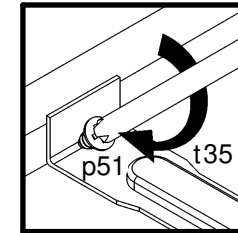
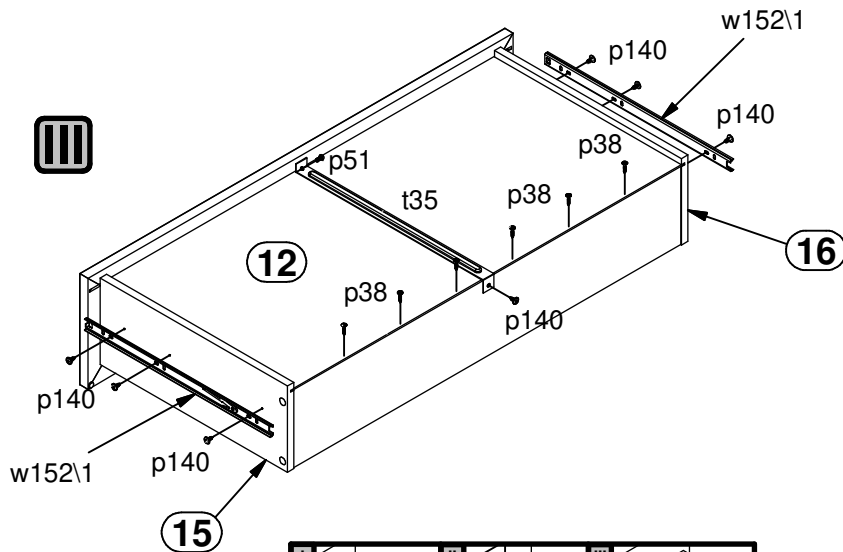
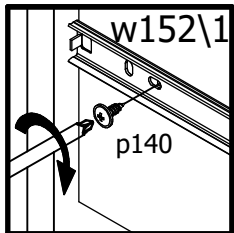
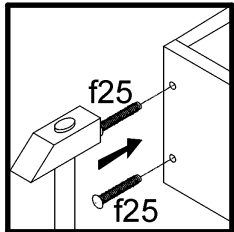
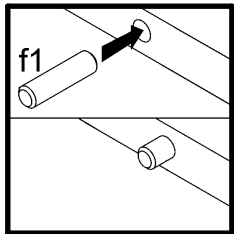
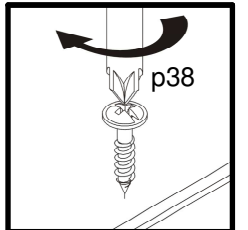
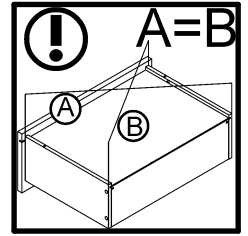
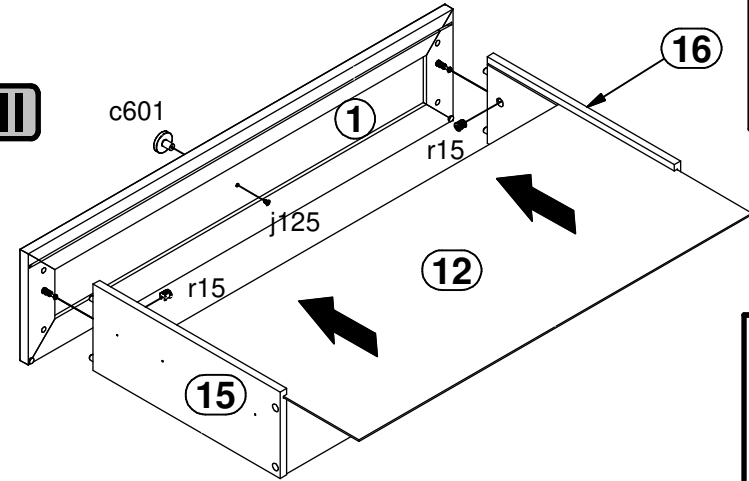
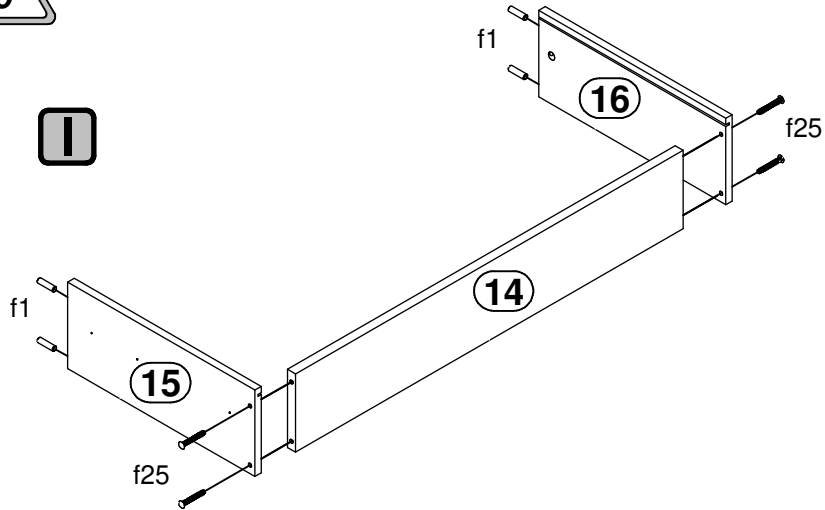
6 


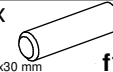
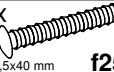









7 

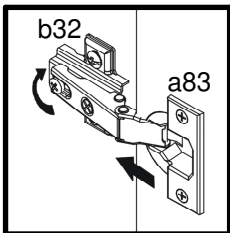
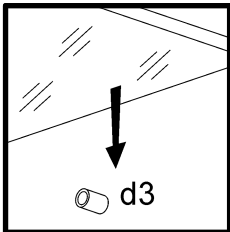
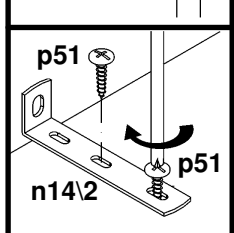
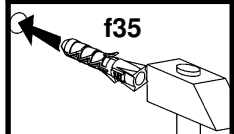
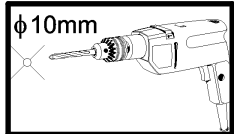
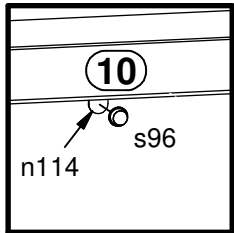
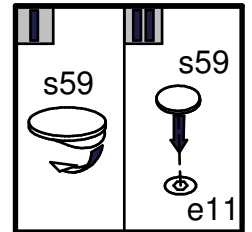
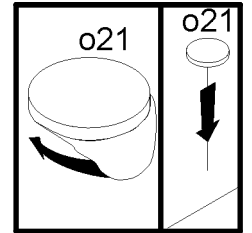
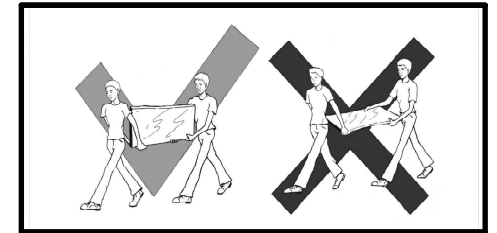
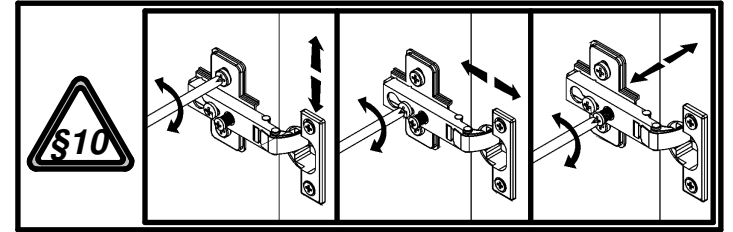
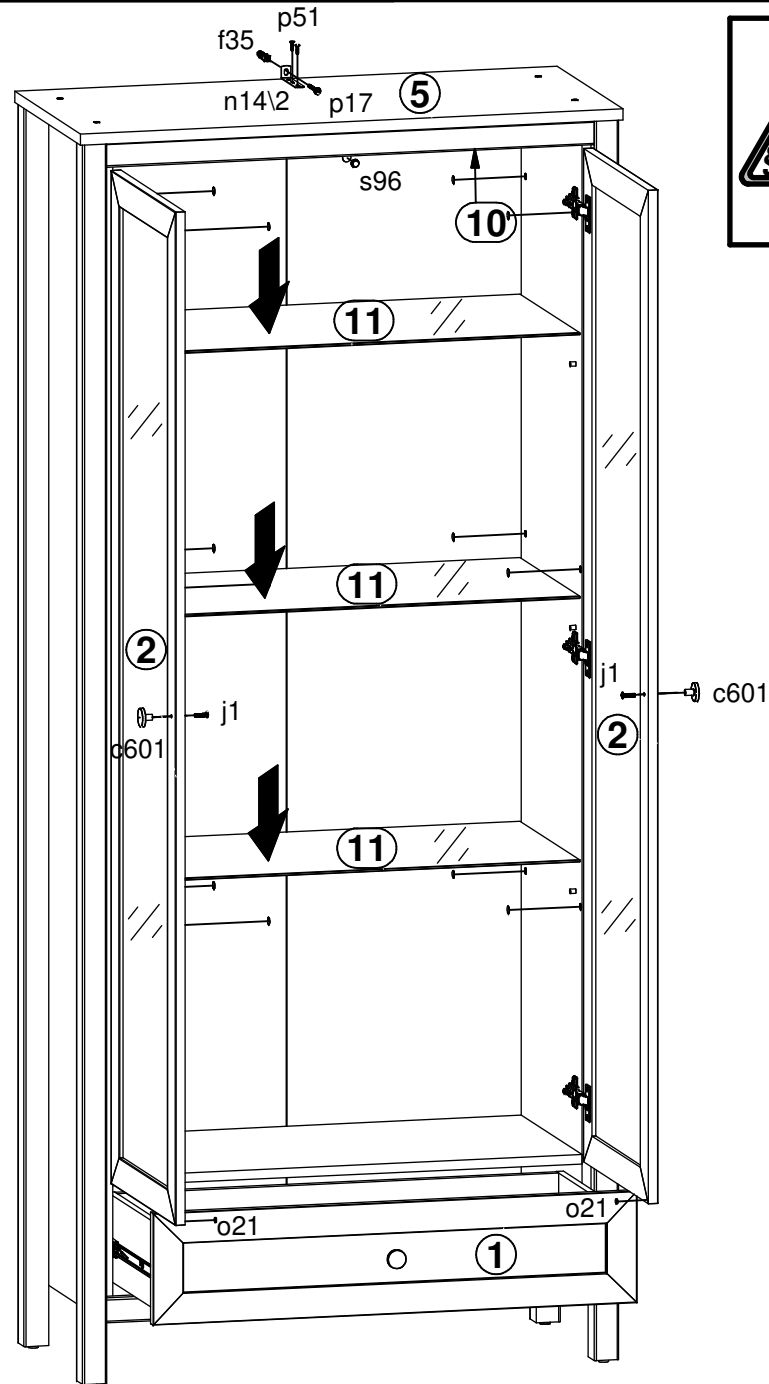




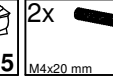

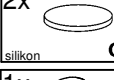
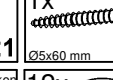


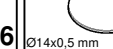
8 



1x  c601	4x  Ø8x30 mm f1	4x  Ø6,5x40 mm f25	1x  M4x7 mm j125
6x  Ø3,5x16 mm p38	7x  Ø3,5x12 mm p140	1x  Ø3,5x15 mm p51	2x  Ø12x10,5 mm #12 r15
1x  350 mm t35	2x  350/580 mm w152\1		

9 



2x  c601	1x  f35	2x  j1
1x  n14/2	2x  o21	1x  p17
2x  p51	1x  s96	12x  s59

10

