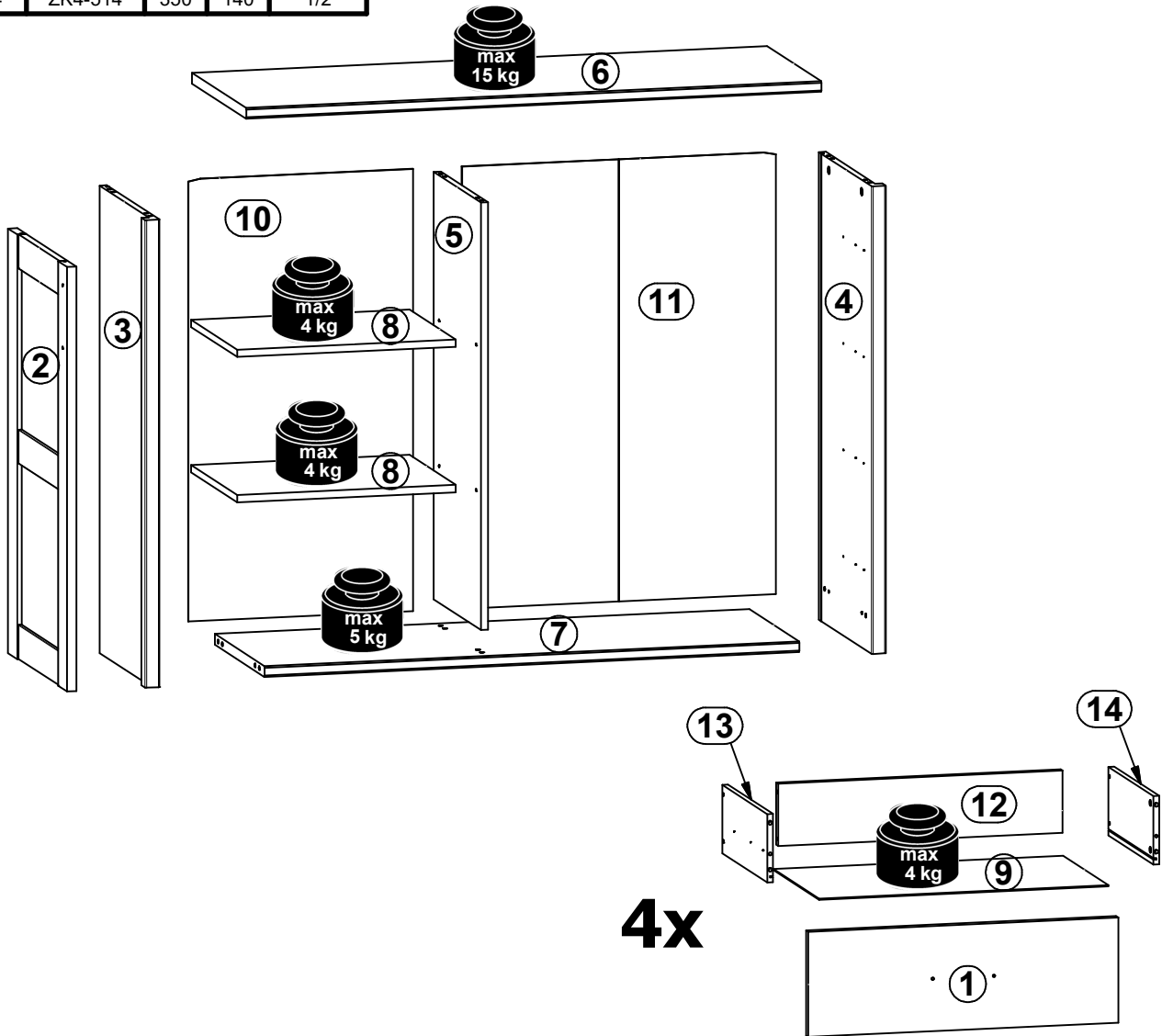
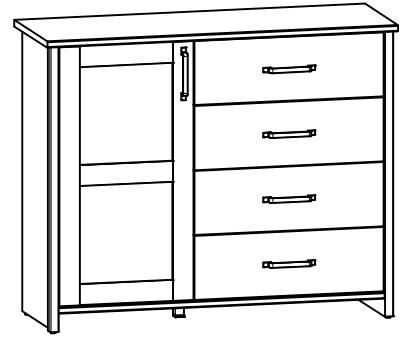
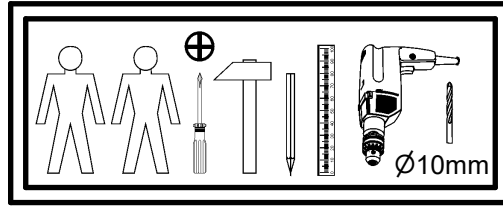
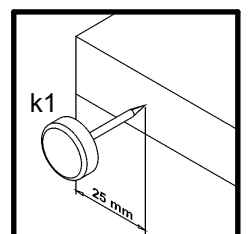
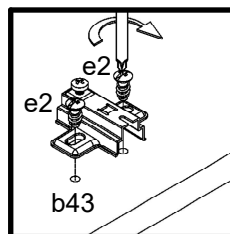
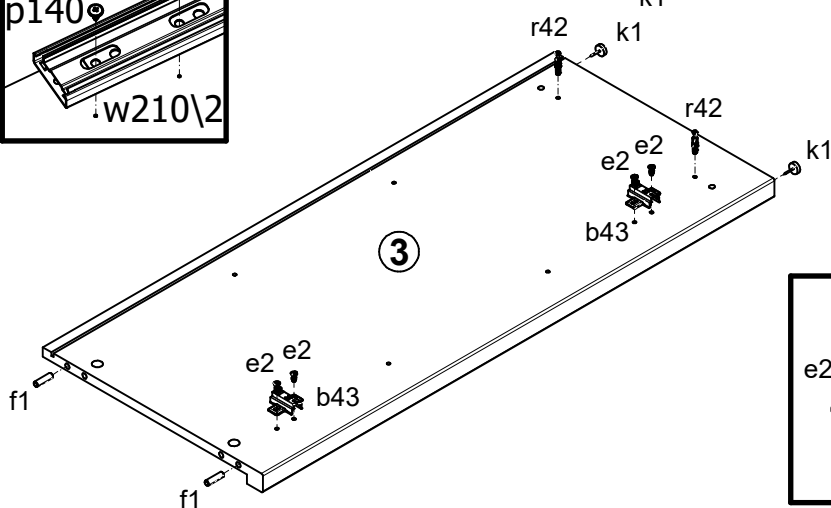
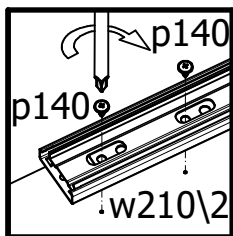
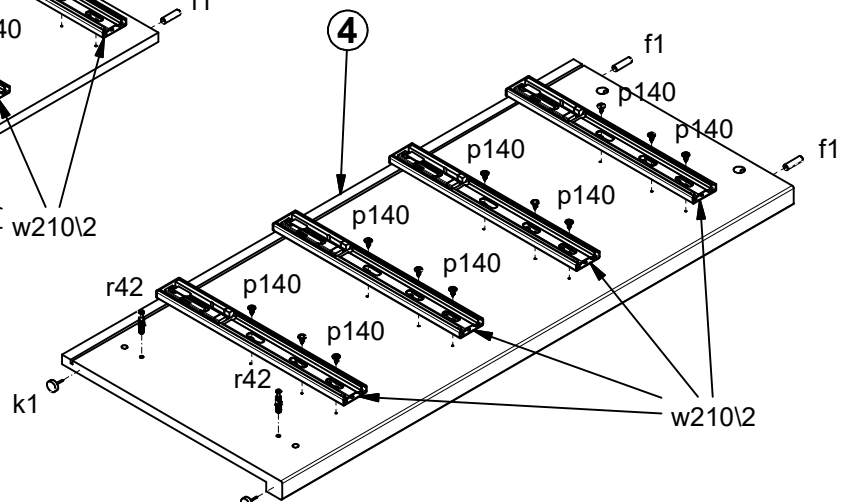
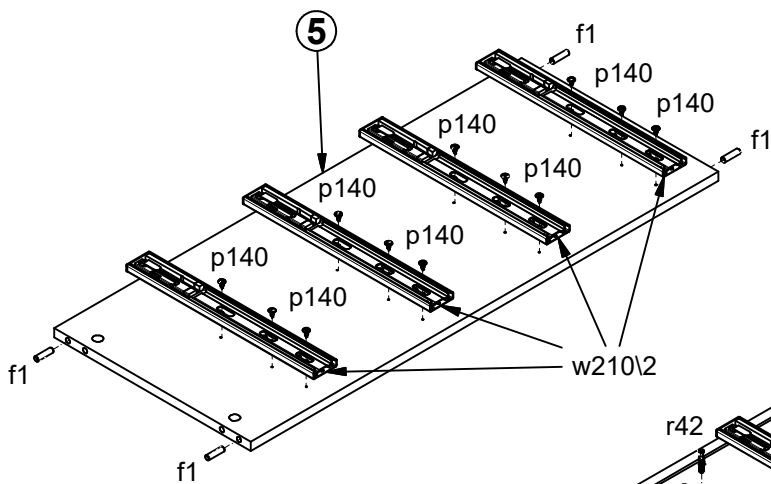
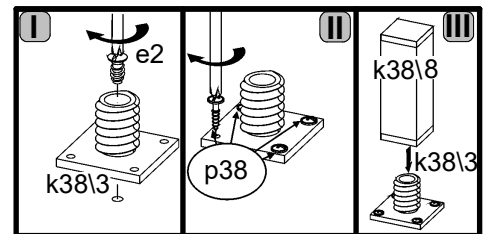
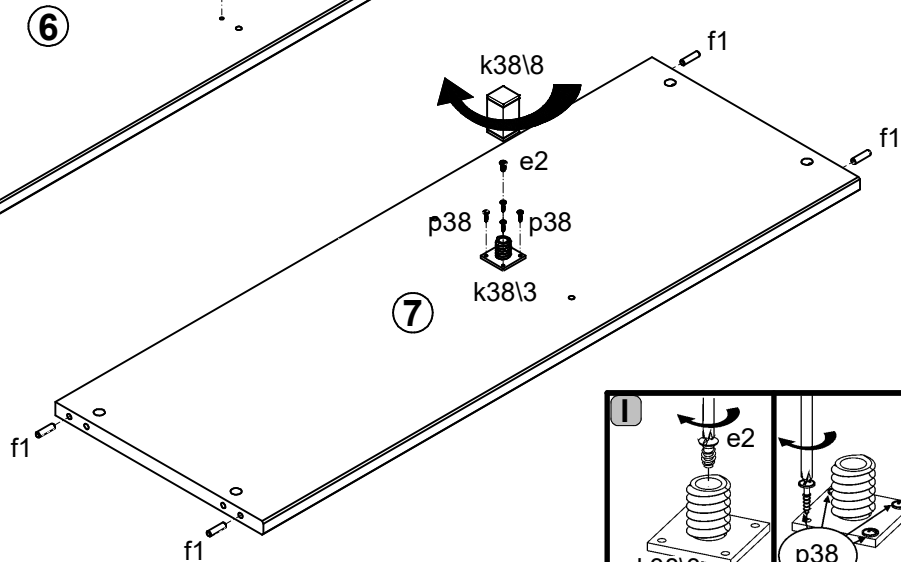
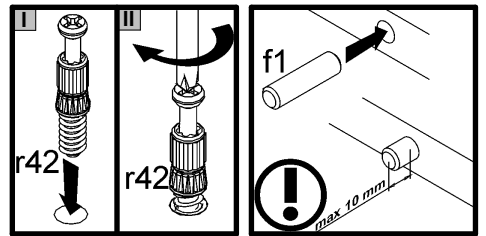
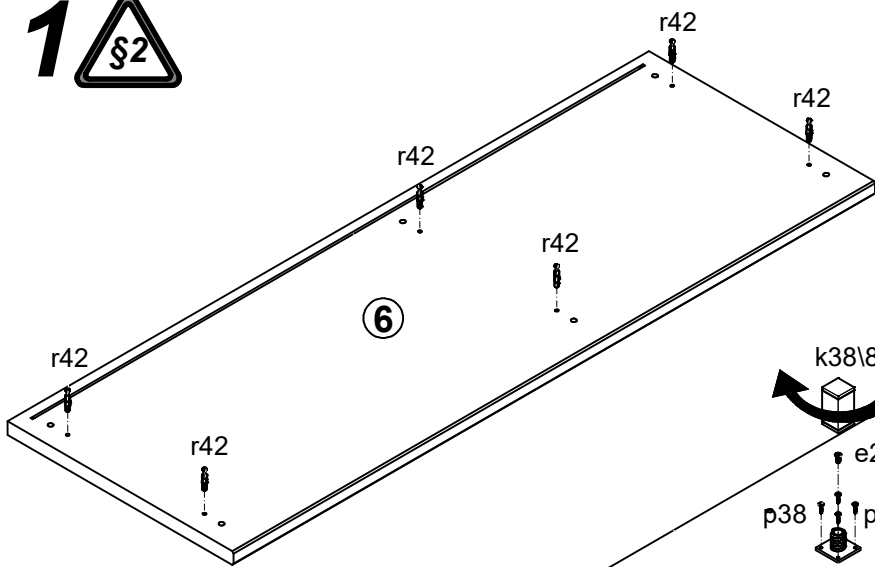


| A | B | C | D | |
|----|-----------|------|-----|-----|
| 1 | S455-0004 | 647 | 215 | 1/2 |
| 2 | S455-0005 | 869 | 460 | 1/2 |
| 3 | S455-1004 | 957 | 412 | 1/2 |
| 4 | S455-1005 | 957 | 412 | 1/2 |
| 5 | S455-1006 | 875 | 368 | 1/2 |
| 6 | S455-2003 | 1200 | 423 | 2/2 |
| 7 | S455-3005 | 1116 | 389 | 2/2 |
| 8 | S455-3007 | 456 | 360 | 1/2 |
| 9 | S455-9001 | 604 | 355 | 2/2 |
| 10 | S455-9005 | 905 | 469 | 1/2 |
| 11 | S455-9303 | 905 | 655 | 2/2 |
| 12 | ZK3-5044 | 594 | 127 | 2/2 |
| 13 | ZK4-513 | 350 | 140 | 1/2 |
| 14 | ZK4-514 | 350 | 140 | 1/2 |

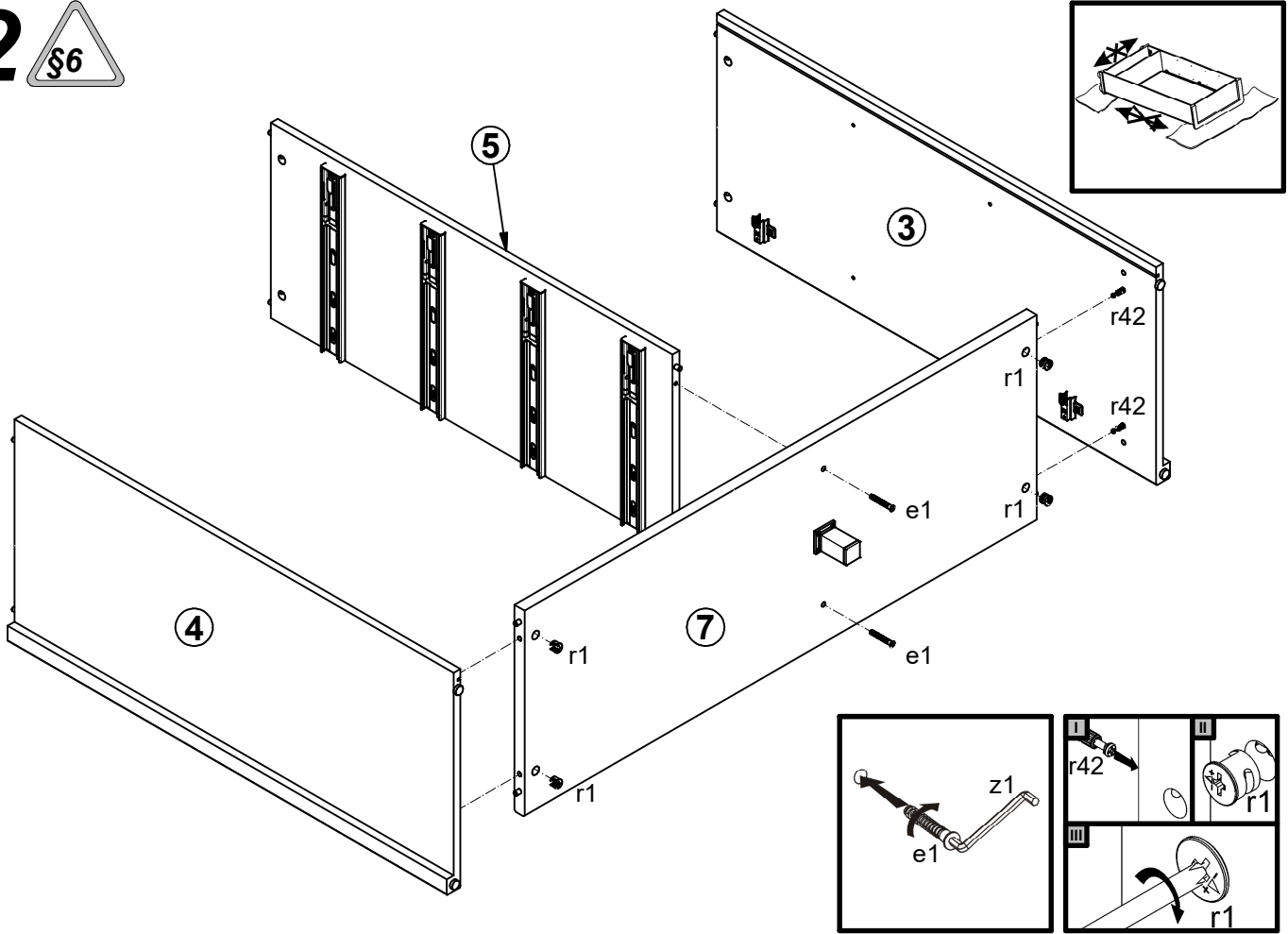


| | | | | | | | | |
|------------------|------------------|-----------------|-----------------|-----------------|---------------|----------------|----------------|----------------|
| 1x a133 | 2x a160 | 2x b43 | 5x c526 | 8x d1 | 2x e1 | 5x e2 | 12x f1 | 16x f25 |
| 8x f9 | 4x k1 | 1x k38\3 | 1x k38\8 | 15x l1 | 6x l2 | 4x n108 | 10x p9 | 4x p25 |
| 4x p35 | 20x p38 | 4x p51 | 4x p55 | 48x p140 | 10x r1 | 16x r15 | 26x r42 | 4x t35 |
| 8x w210\1 | 8x w210\2 | 2x s2 | 1x z1 | | | 1x n26 | 1x p38 | |

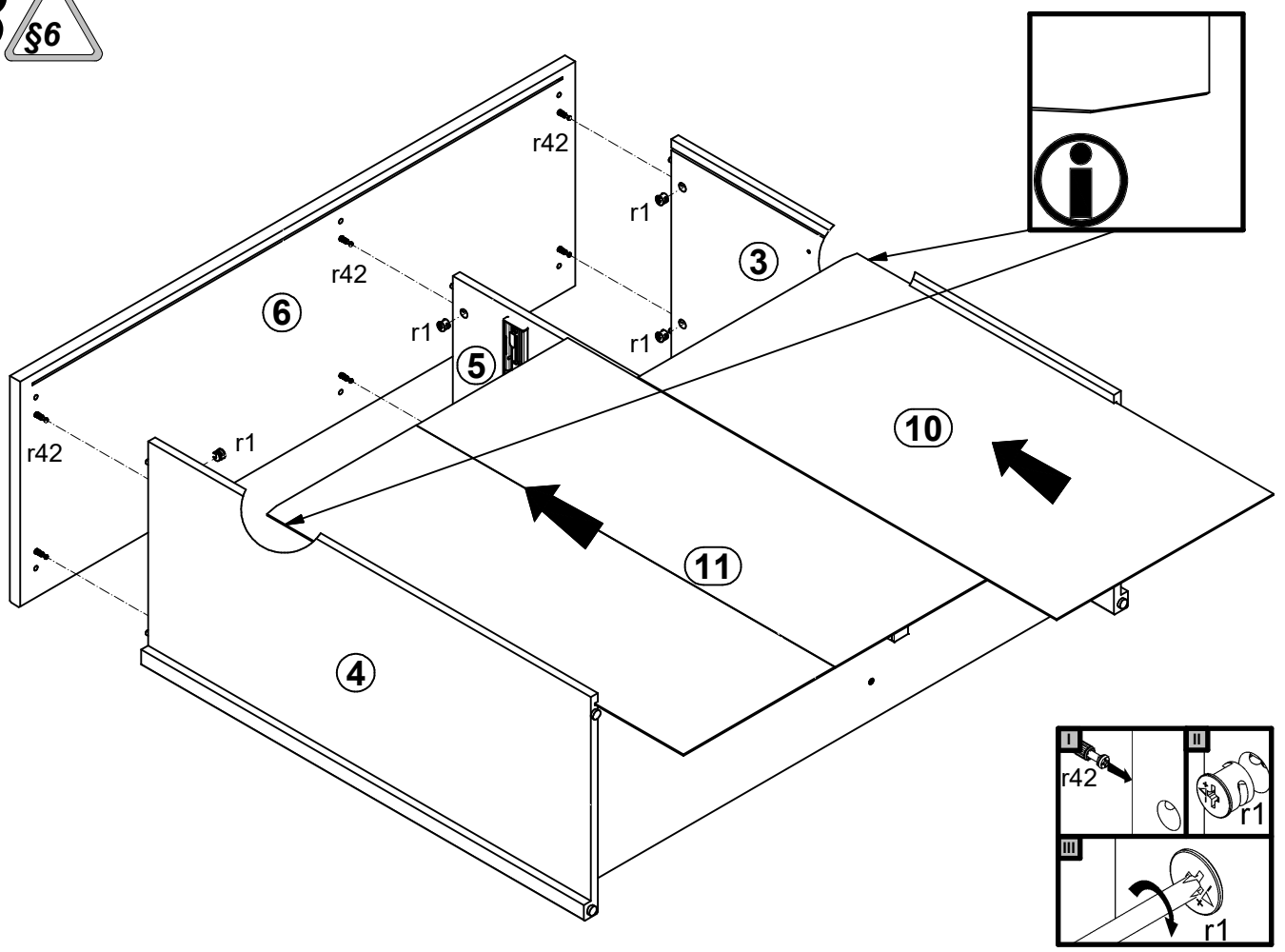
1 



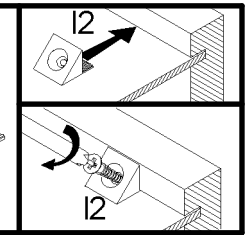
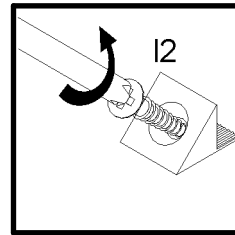
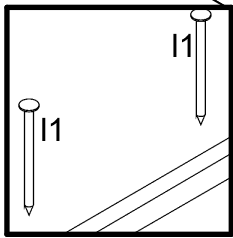
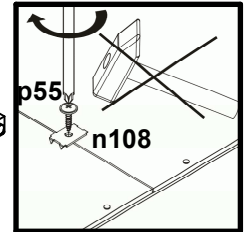
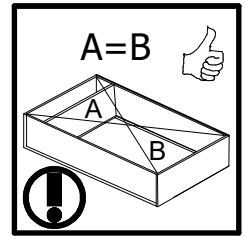
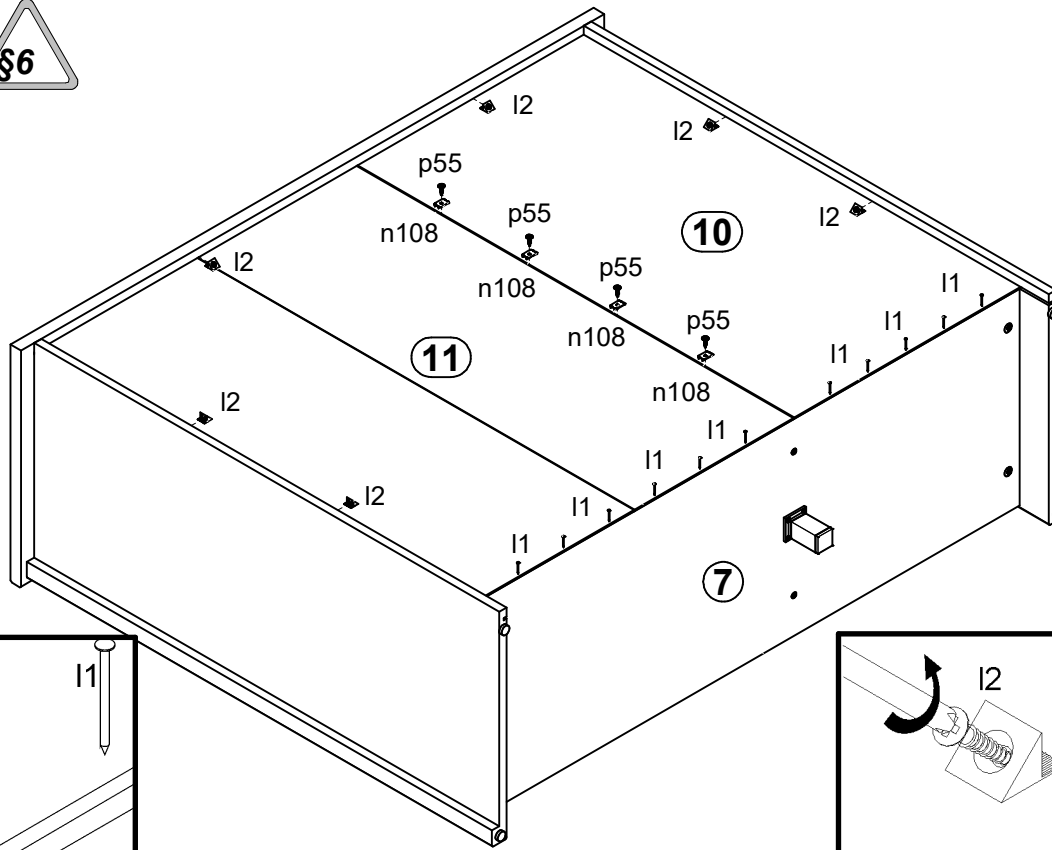
2



3

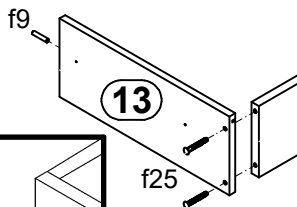
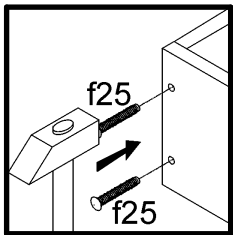
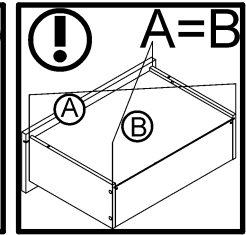
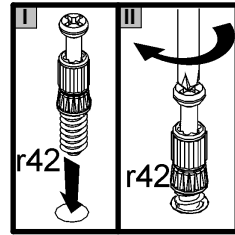
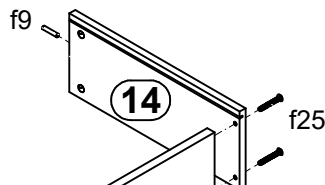
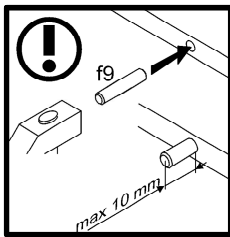


4 §6

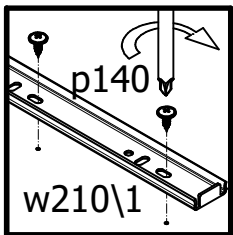
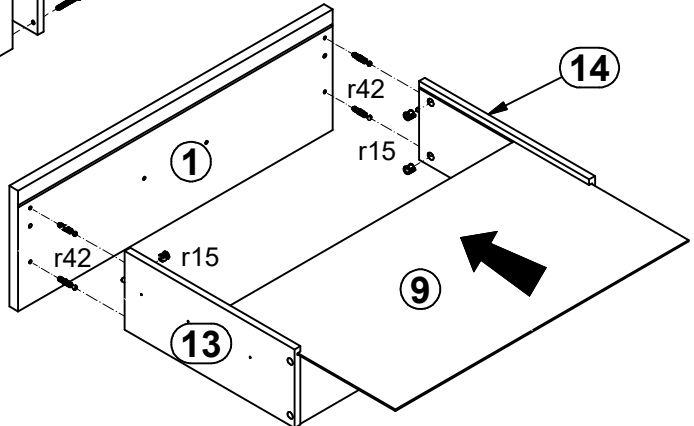


5 §6

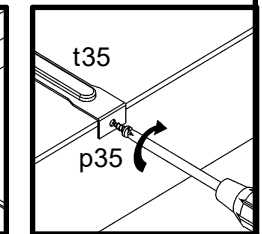
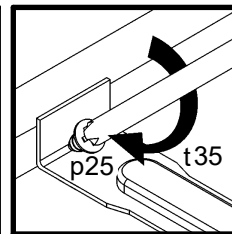
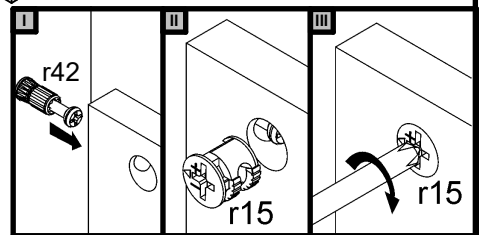
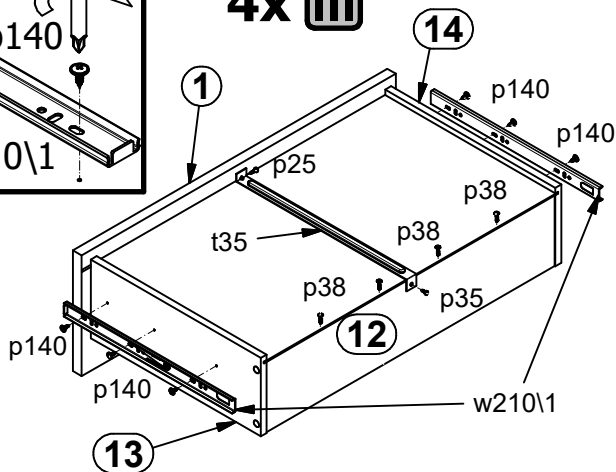
4x I



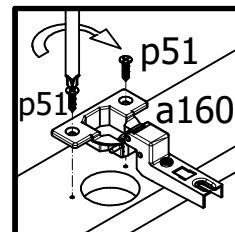
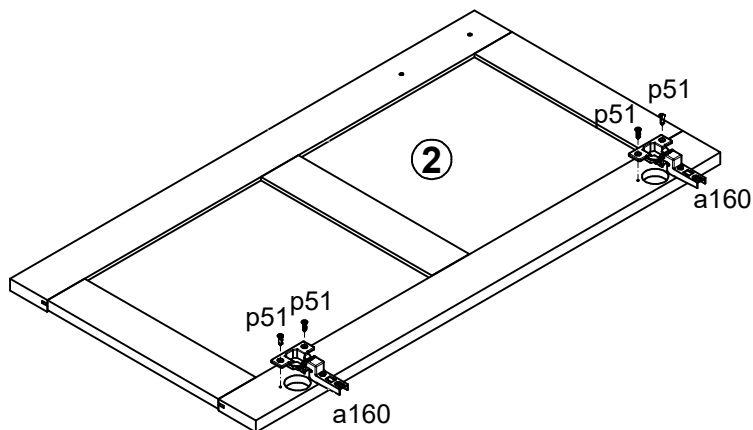
4x II



4x III



6 §2



7 §6

