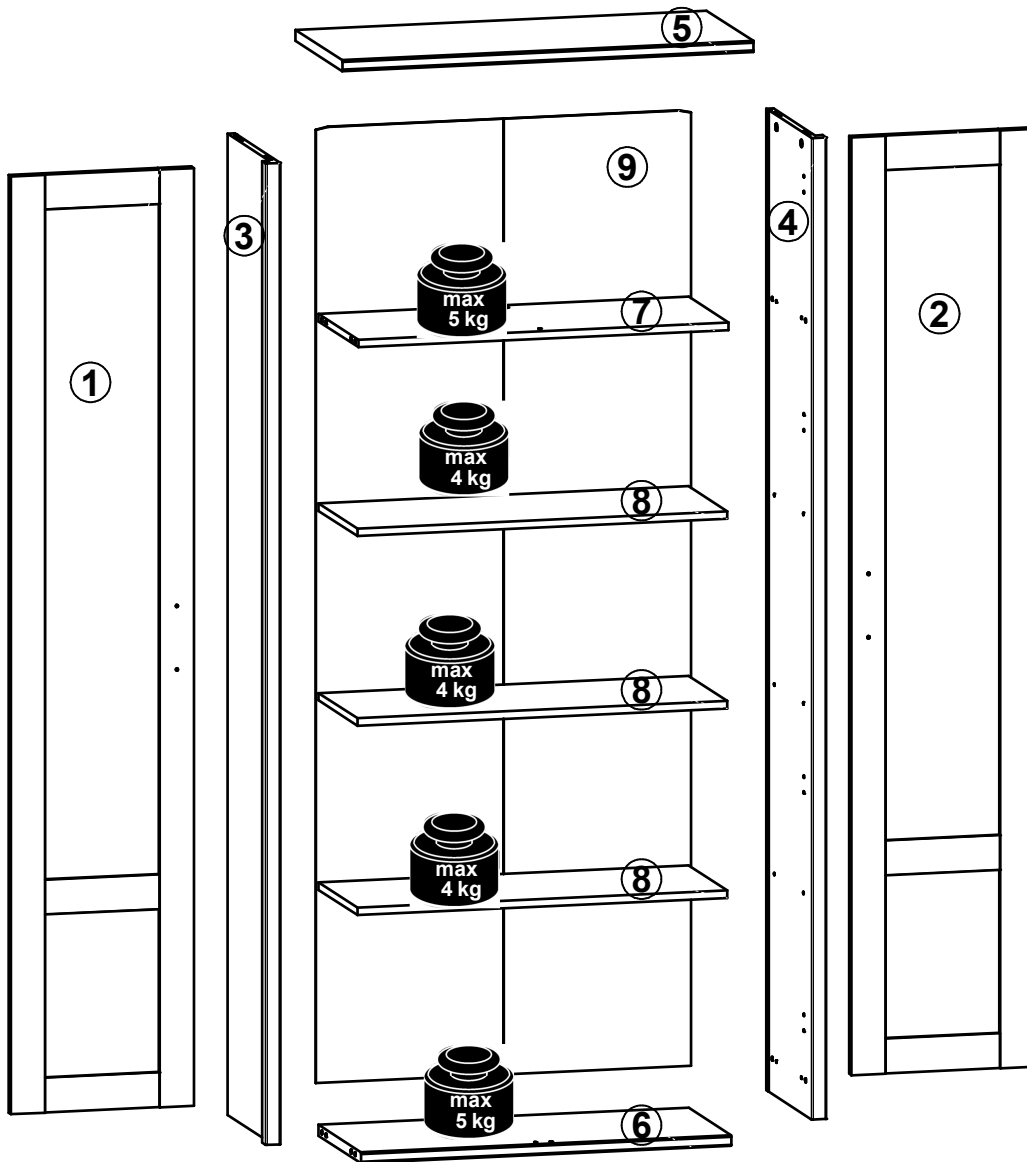
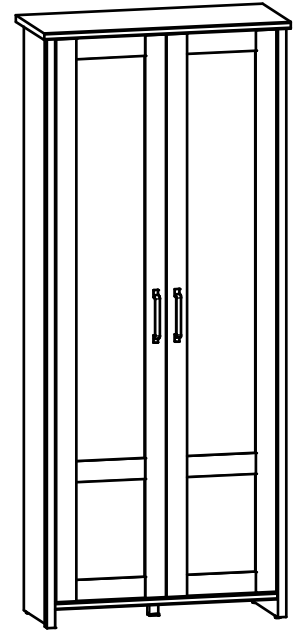
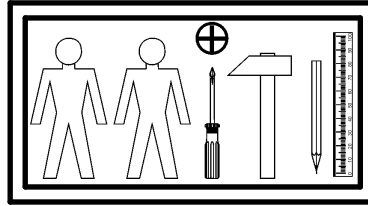
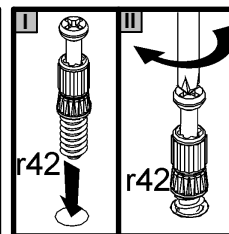
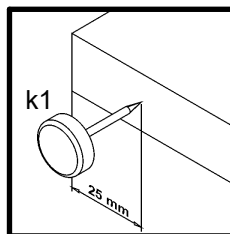
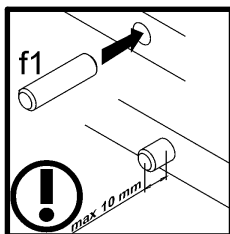
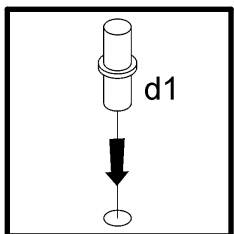
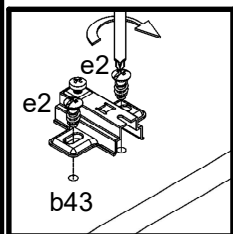
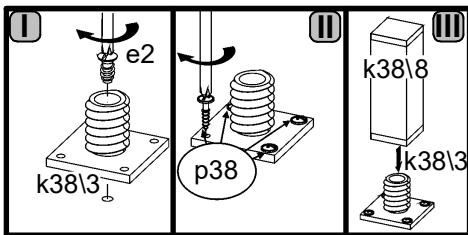
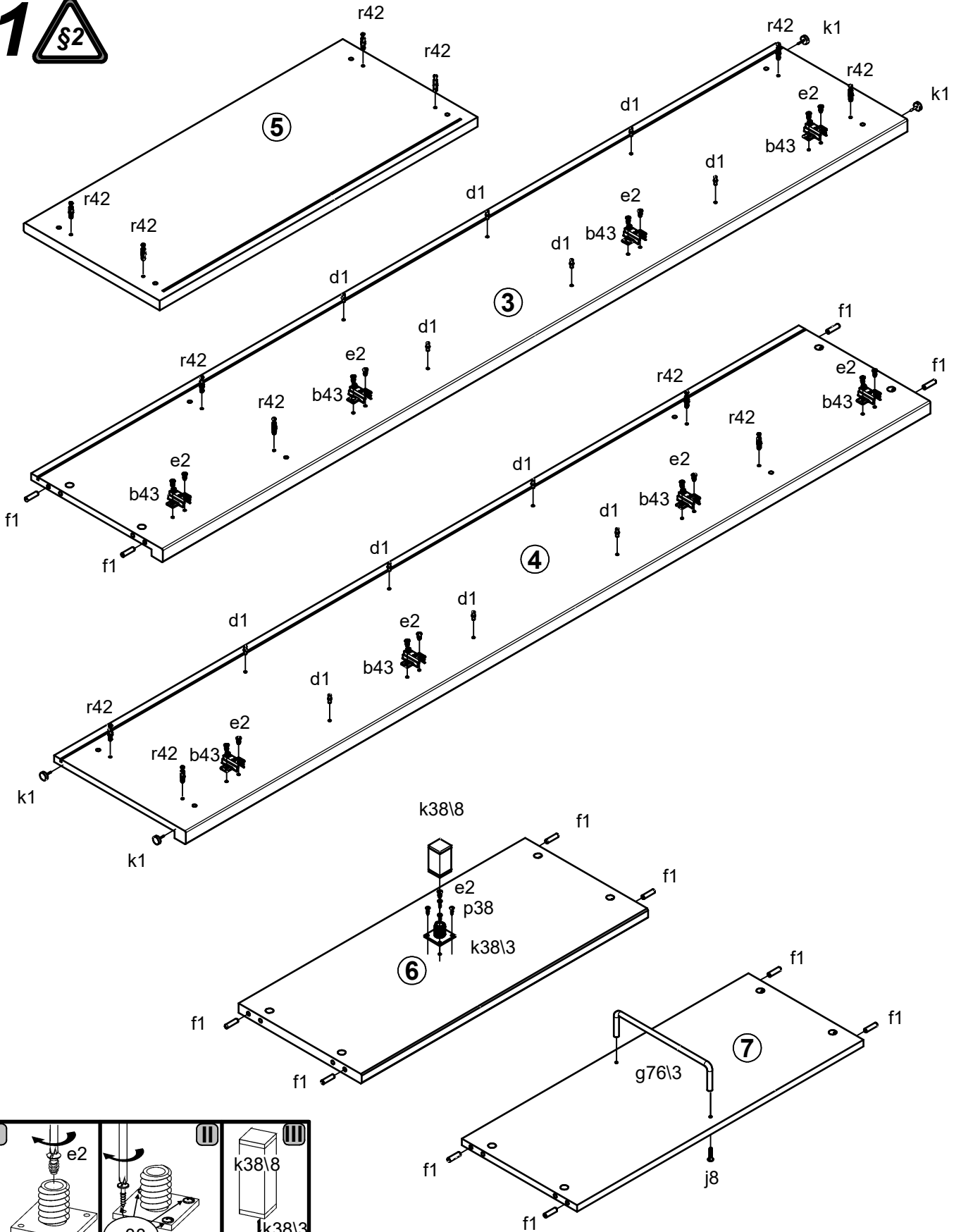


| A | B | C | D |
|---|-----------|------|---------|
| 1 | S455-0012 | 1890 | 376 2/2 |
| 2 | S455-0013 | 1890 | 376 2/2 |
| 3 | S455-1016 | 1978 | 350 1/2 |
| 4 | S455-1017 | 1978 | 350 1/2 |
| 5 | S455-2008 | 845 | 361 1/2 |
| 6 | S455-3016 | 761 | 327 1/2 |
| 7 | S455-3017 | 761 | 306 1/2 |
| 8 | S455-3018 | 760 | 298 1/2 |
| 9 | S455-9305 | 1926 | 771 2/2 |

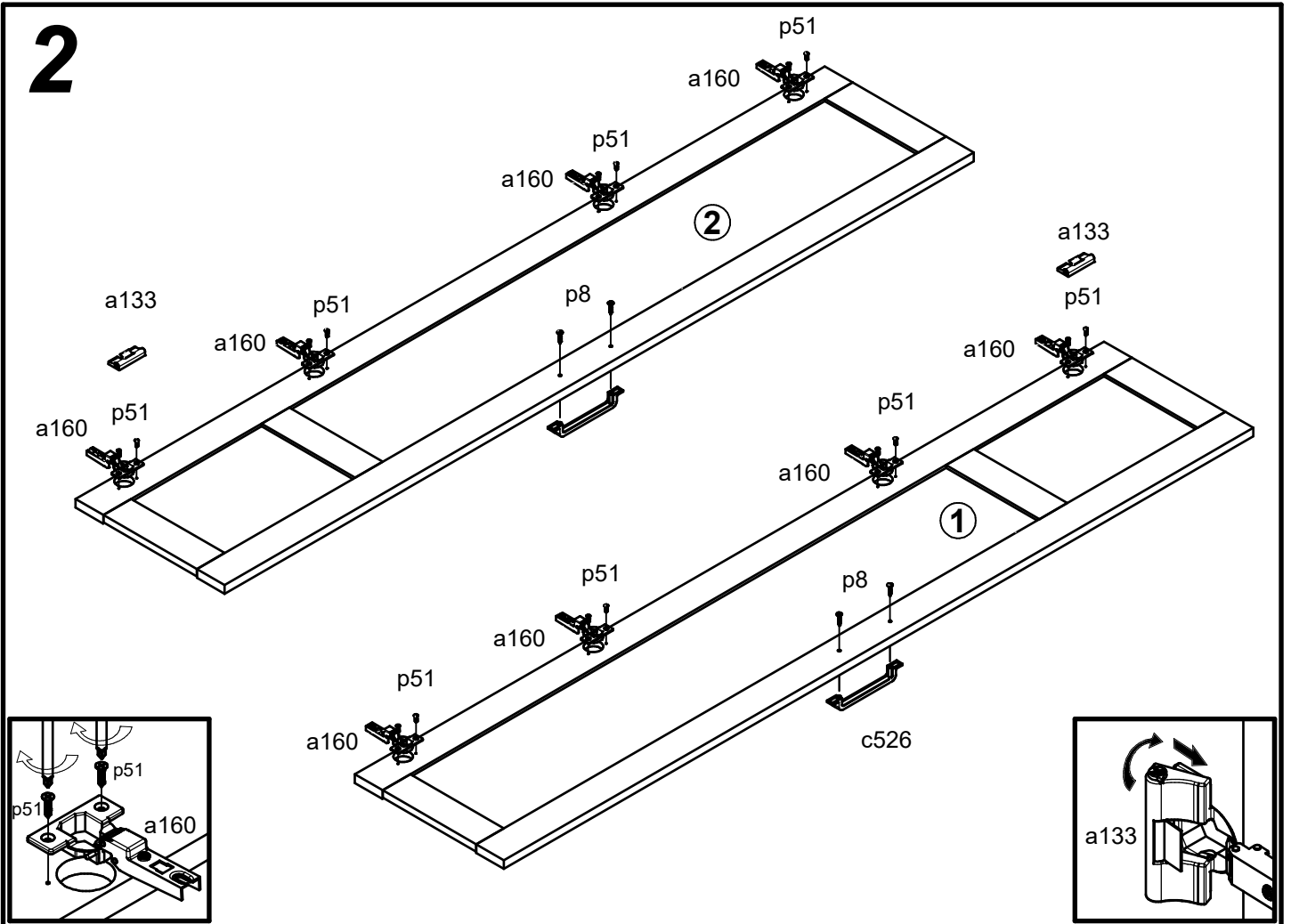


| | | | | | | | | |
|----------------|----------------|-----------------|-----------------|---------------|---------------|---------------|---------------|-----------------|
| 2x a133 | 8x a160 | 8x b43 | 2x c526 | 12x d1 | 2x d5 | 17x e2 | 12x f1 | 1x g76/3 |
| 2x j8 | 4x k1 | 1x k38/3 | 1x k38/8 | 15x l1 | 12x l2 | 4x p9 | 6x p38 | 16x p51 |
| 12x r1 | 12x r42 | 8x s2 | 1x n14/2 | 1x p17 | 1x f35 | | | |

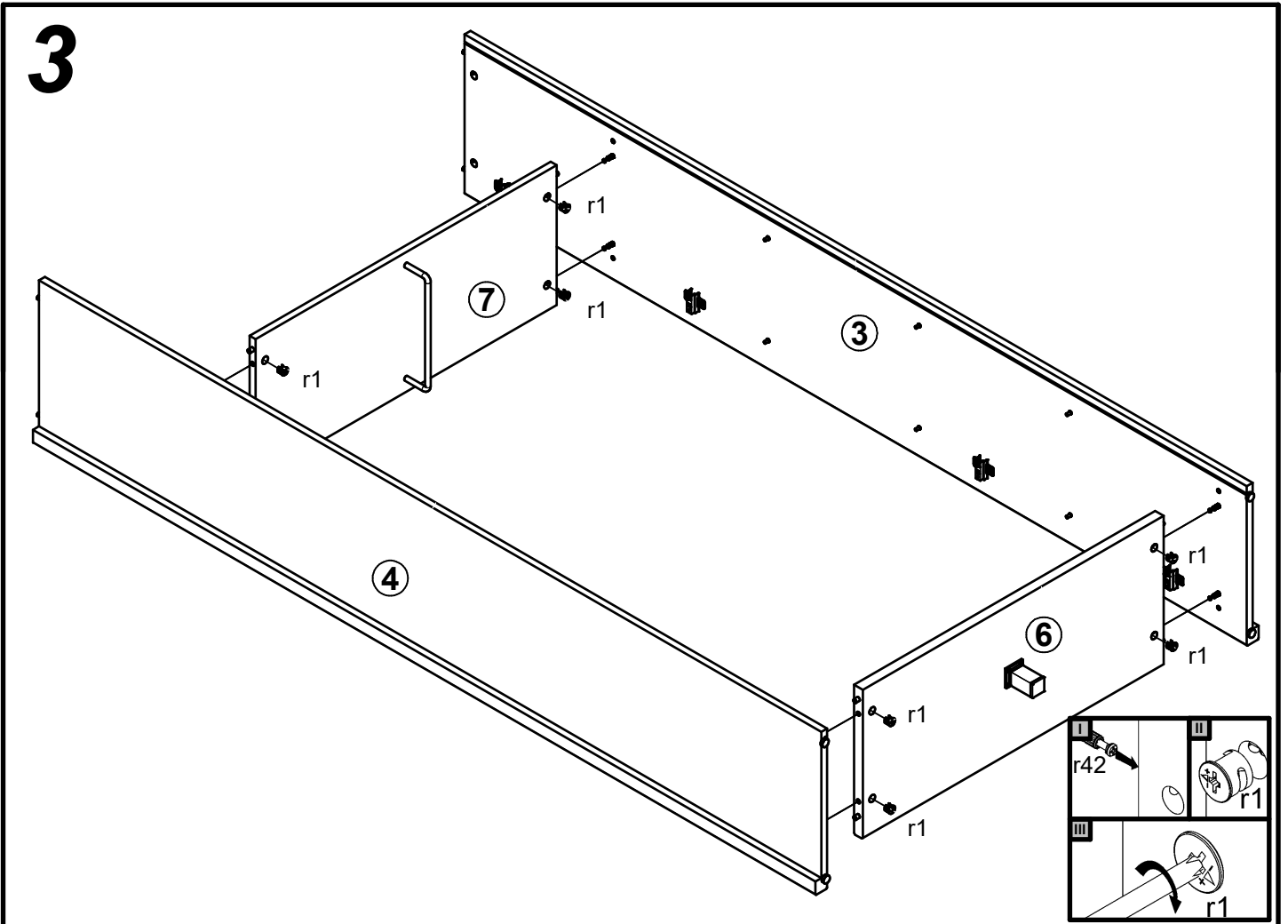
1 



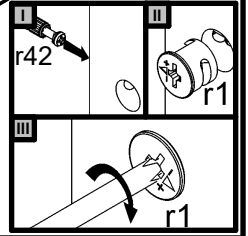
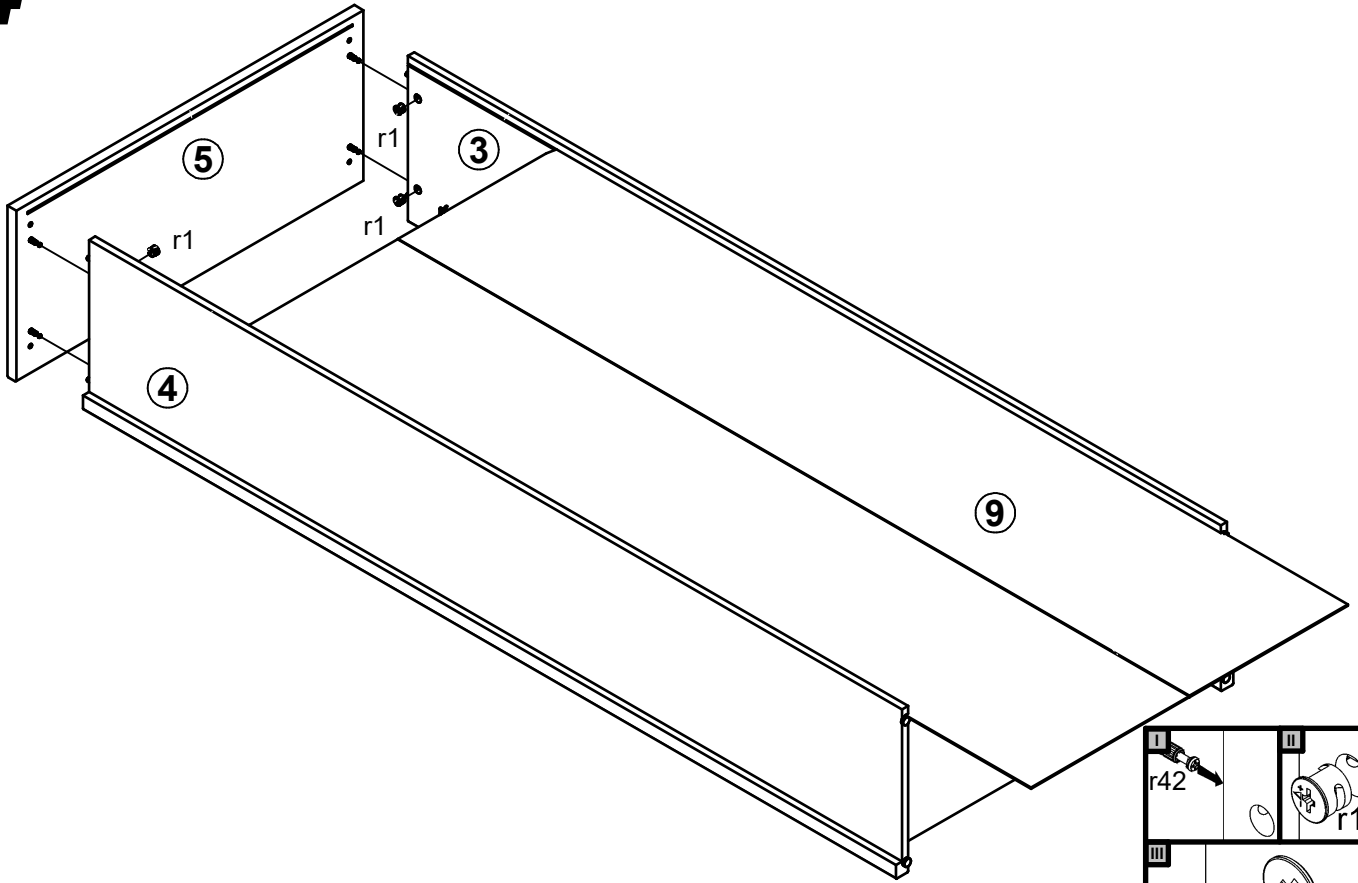
2



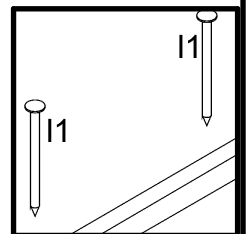
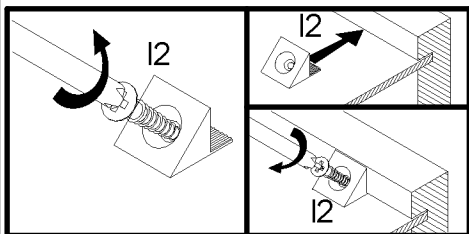
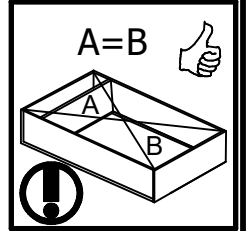
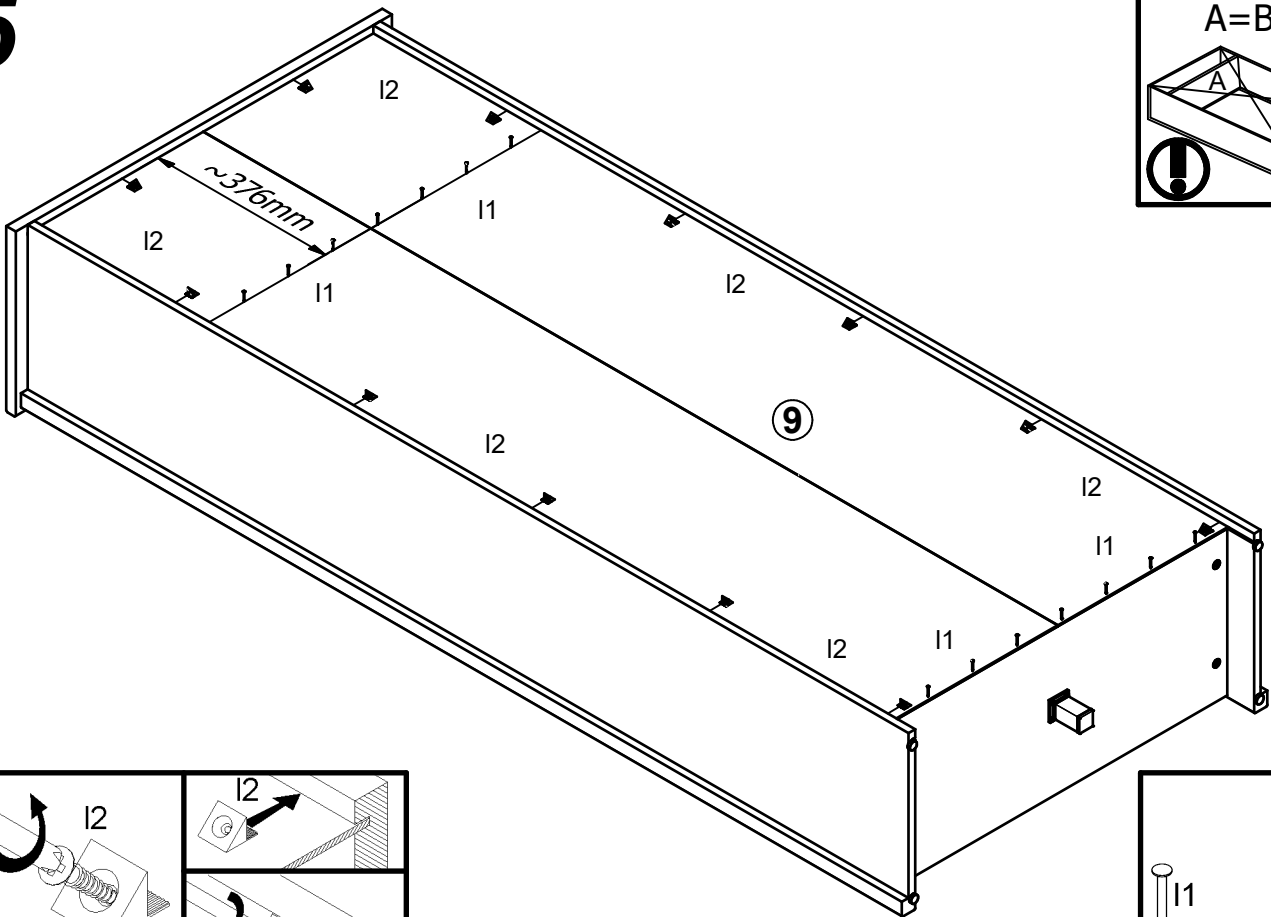
3



4



5



6

