

S442-FRN/153

A	B	C (mm)			D
1	S442-0009	775	634	15	6/9, 7/9
2	S442-0010	775	634	15	8/9, 9/9
3	S442-0011	775	634	15	6/9, 7/9

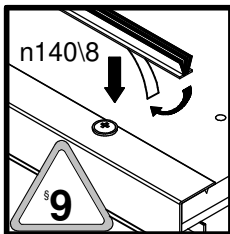
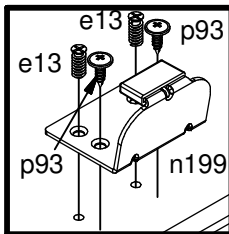
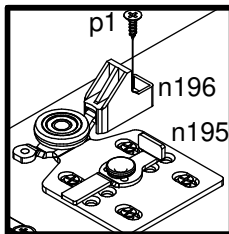
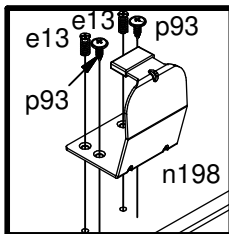
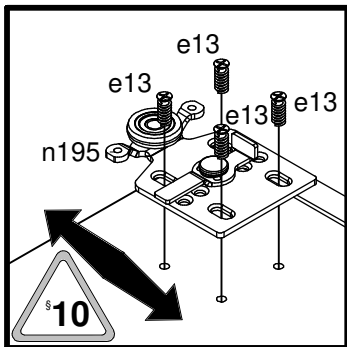
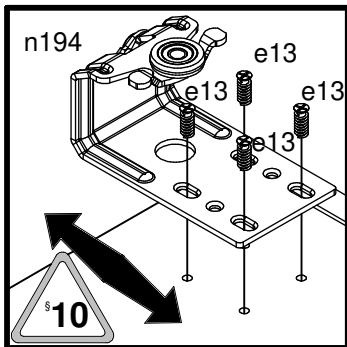
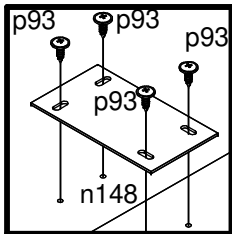
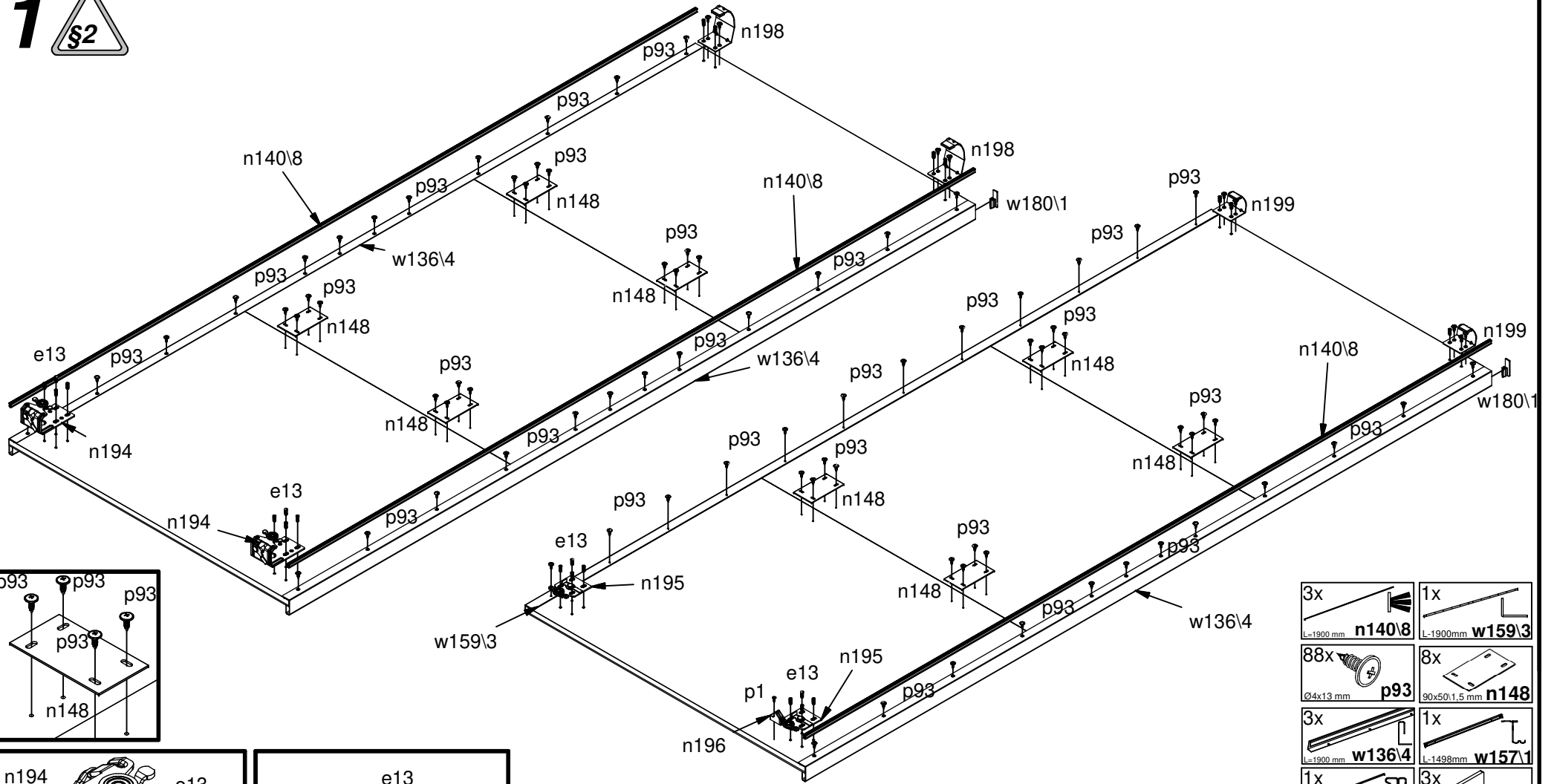
S442-FRN/153-2M

A	B	C (mm)			D
4	S442-0012	775	634	15	6/9, 7/9
5	S442-0013	775	634	15	8/9, 9/9
6	S442-0014	775	634	15	6/9, 7/9

S442-FRN/153-M

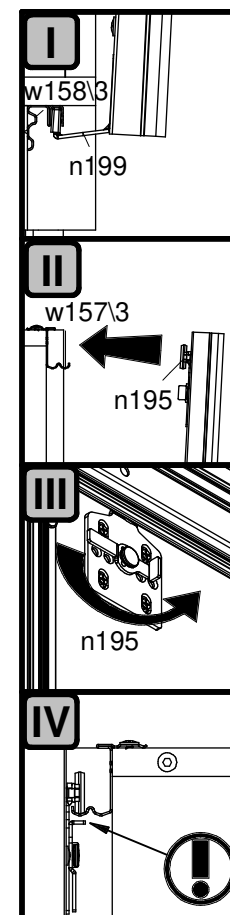
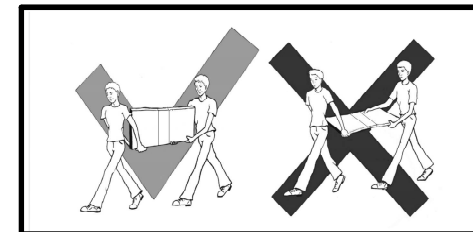
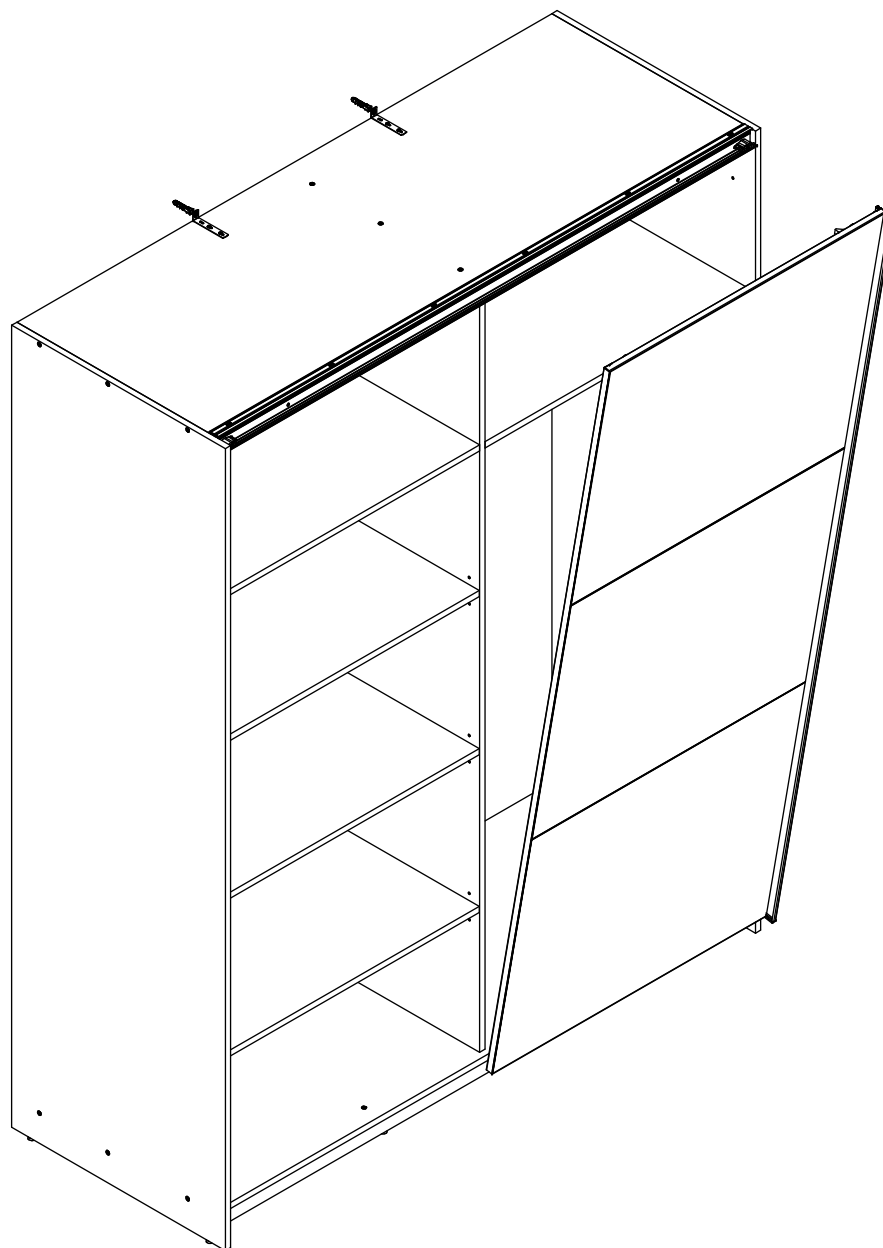
A	B	C (mm)			D
1	S442-0009	775	634	15	6/9, 7/9
2	S442-0010	775	634	15	8/9, 9/9
3	S442-0011	775	634	15	6/9, 7/9
4	S442-0012	775	634	15	6/9, 7/9
5	S442-0013	775	634	15	8/9, 9/9
6	S442-0014	775	634	15	6/9, 7/9

1 §2



3x L=1900 mm <b>n140\8</b>	1x L=1900mm <b>w159\3</b>
88x Ø4x13 mm <b>p93</b>	8x 90x50x1.5 mm <b>n148</b>
3x L=1900 mm <b>w136\4</b>	1x L=1498mm <b>w157\1</b>
1x L=1498mm <b>w158\1</b>	3x <b>w180\1</b>
1x Ø3.5x13 mm <b>p1</b>	1x <b>n196</b>
2x <b>n198</b>	2x <b>n199</b>
2x <b>n194</b>	2x <b>n195</b>

2



3

