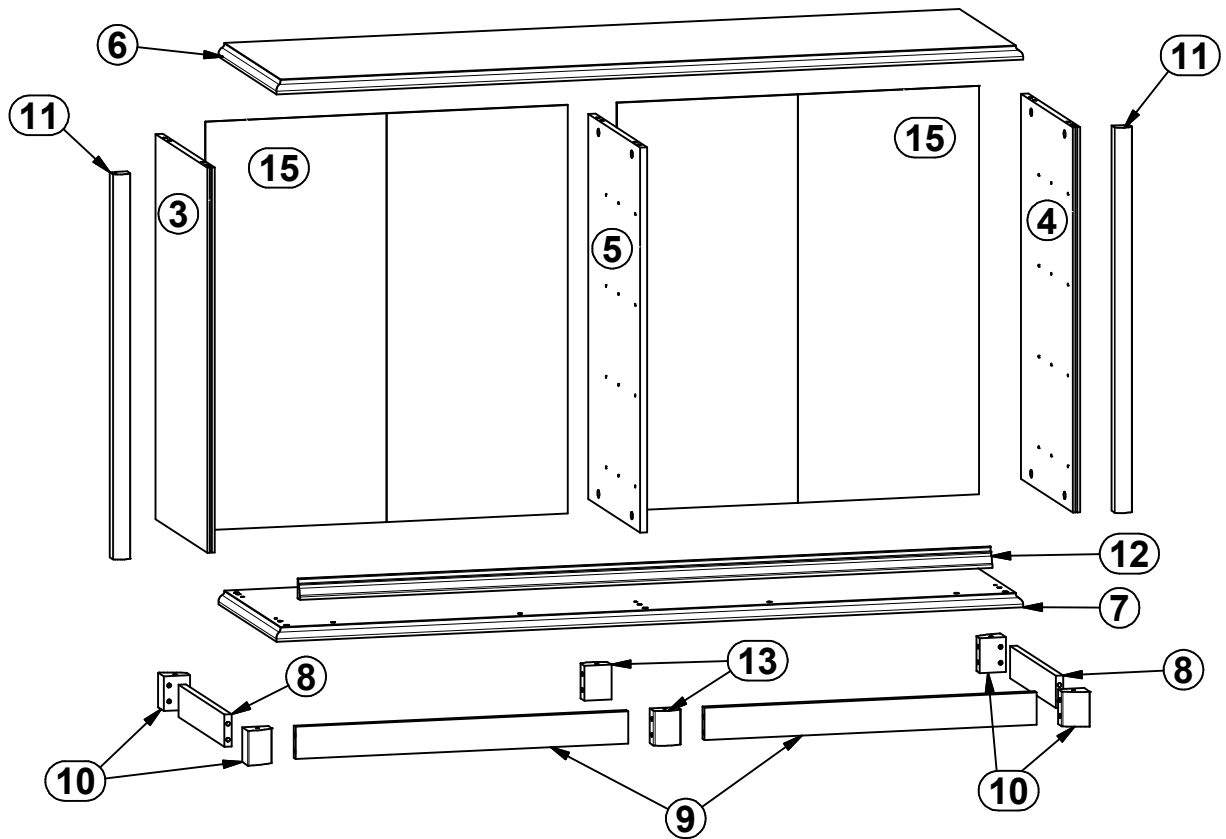
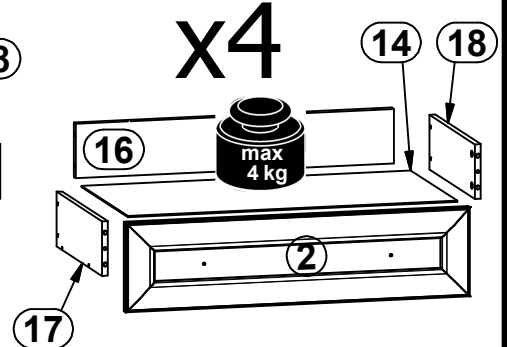
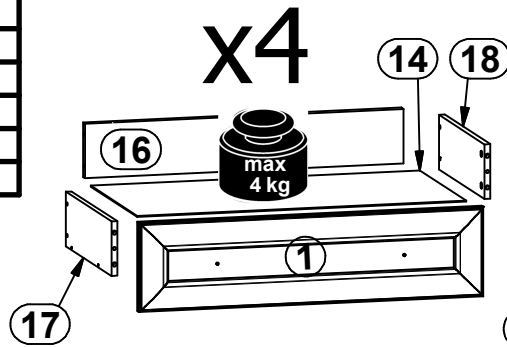
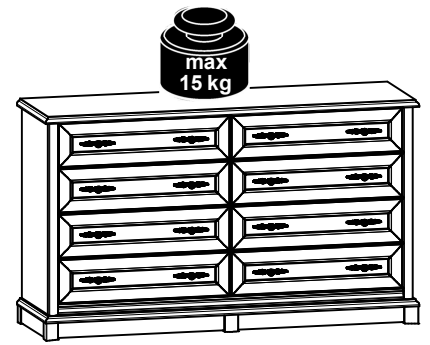
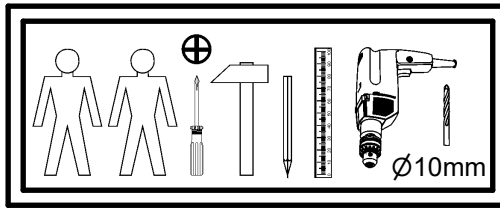
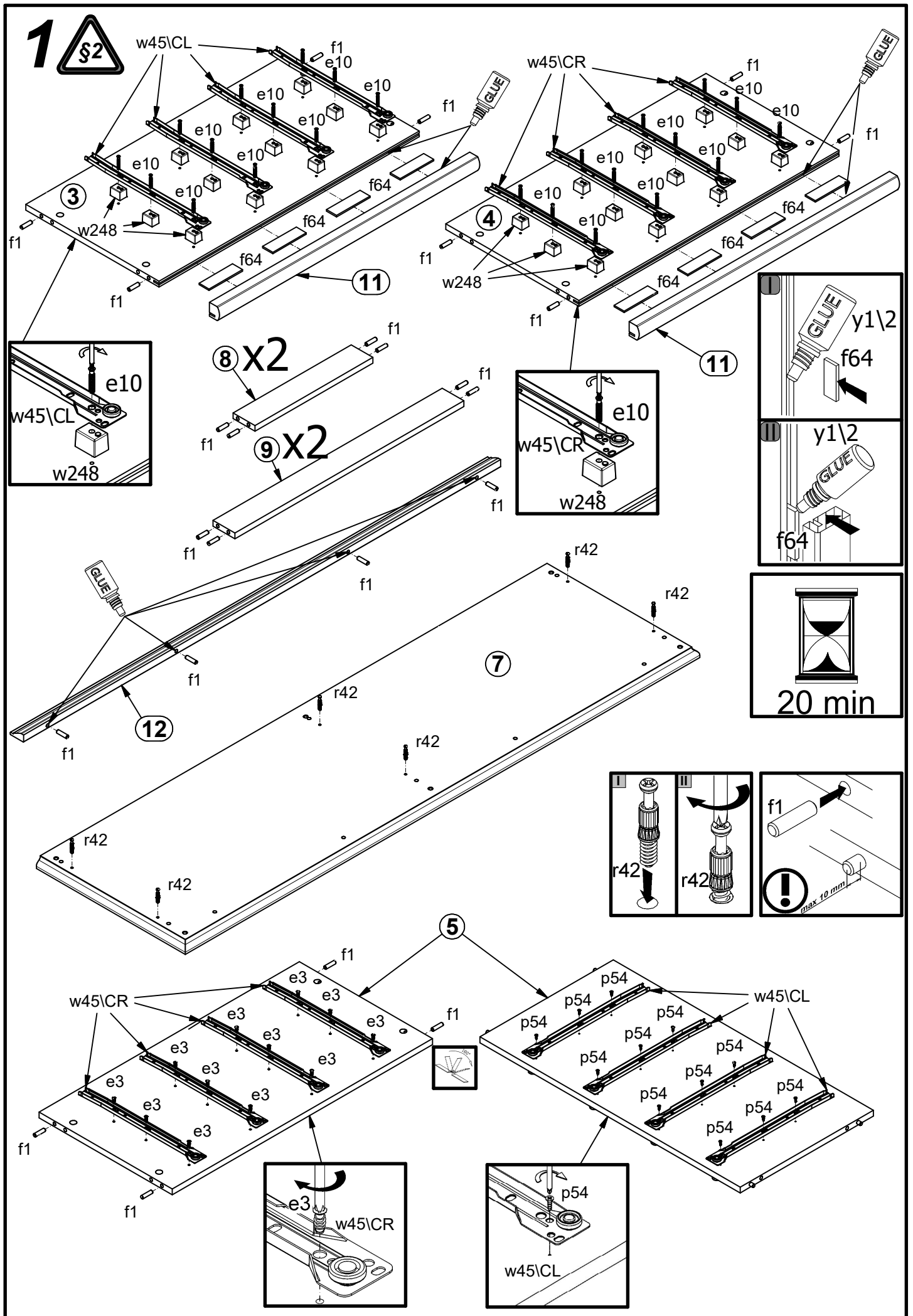


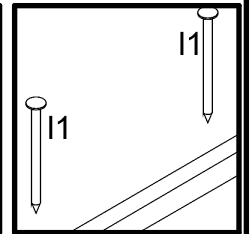
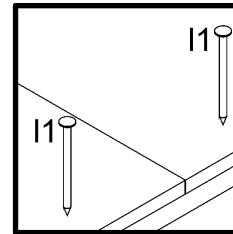
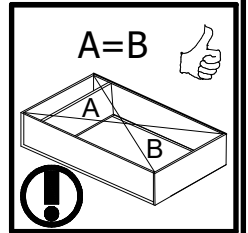
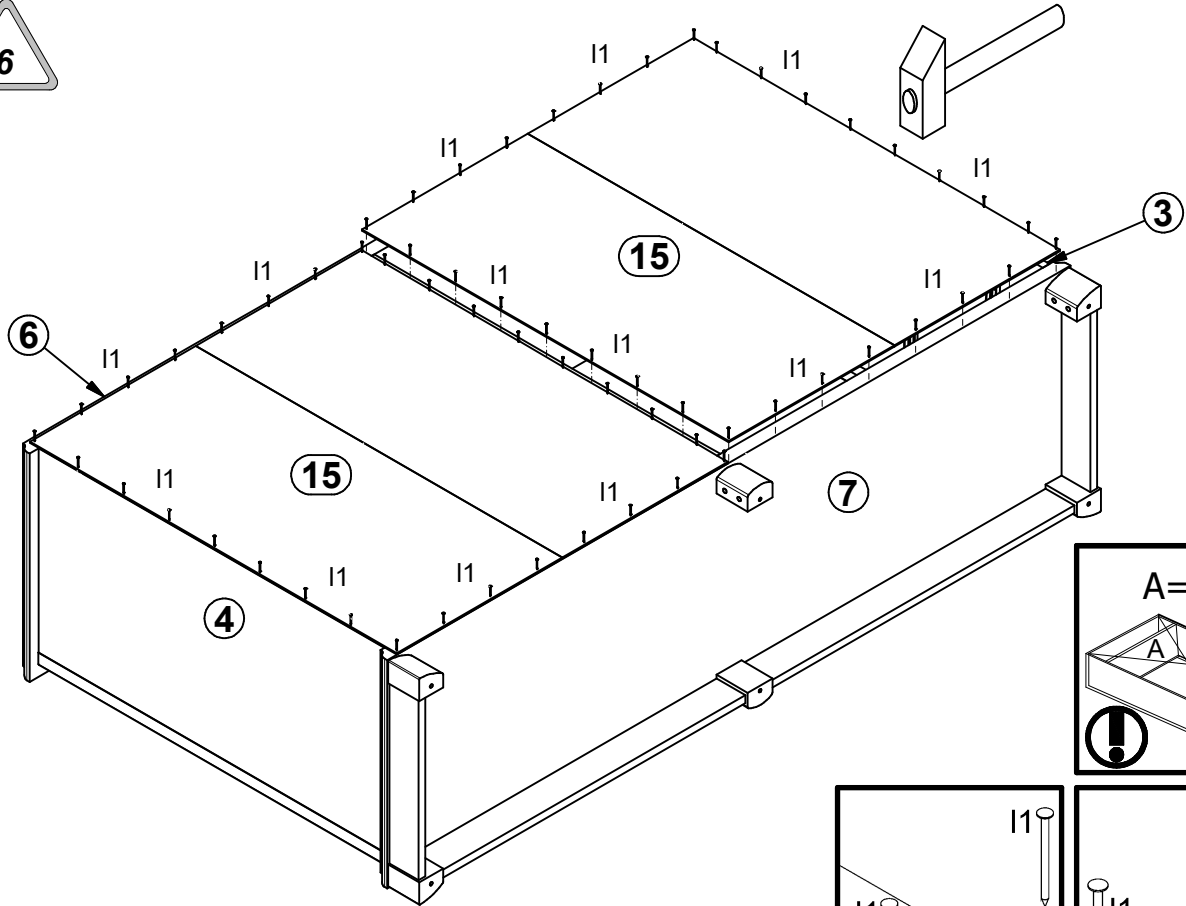
| A | B | C | D | |
|----|-----------|------|-----|-----|
| 1 | S447-0005 | 707 | 180 | 3/3 |
| 2 | S447-0006 | 707 | 180 | 3/3 |
| 3 | S447-1003 | 776 | 397 | 1/3 |
| 4 | S447-1004 | 776 | 397 | 1/3 |
| 5 | S447-1006 | 776 | 397 | 1/3 |
| 6 | S447-2005 | 1534 | 444 | 2/3 |
| 7 | S447-2006 | 1534 | 444 | 2/3 |
| 8 | S447-4002 | 352 | 65 | 1/3 |
| 9 | S447-4004 | 683 | 65 | 1/3 |
| 10 | S447-5003 | 70 | 54 | 1/3 |
| 11 | S447-5006 | 776 | 36 | 1/3 |
| 12 | S447-5010 | 1422 | 40 | 2/3 |
| 13 | S447-5011 | 70 | 56 | 1/3 |
| 14 | S447-9004 | 676 | 357 | 1/3 |
| 15 | S447-9303 | 823 | 744 | 1/3 |
| 16 | ZS7-5033 | 654 | 110 | 1/3 |
| 17 | ZS7-521 | 350 | 110 | 1/3 |
| 18 | ZS7-522 | 350 | 110 | 1/3 |



| | | | | | | | | |
|------------------------------|------------------------|-------------------------|--------------------------|--------------------------|---------------------------|-------------------------|-----------------------------|--------------------------------|
| 16x c35\1 | 16x c35\2 | 12x Ø6x13 mm e3 | 6x Ø7x60 mm e8 | 24x Ø6x33 mm e10 | 32x Ø5x9 mm e19 | 32x Ø8x30 mm f1 | 16x Ø6x30 mm f9 | 32x Ø6.5x40 mm f25 |
| 8x 100x30(3.8 mm) f64 | 16x M4x20 mm j1 | 55x 1.4x20 mm l1 | 8x Ø3.5x16 mm p25 | 8x Ø3.5x10 mm p35 | 48x Ø3.5x16 mm p38 | 12x Ø3x12 mm p54 | 12x Ø15x12 mm #16 r1 | 32x Ø12x10.5 mm #12 r15 |
| 44x 20/11 r42 | 8x 350 mm t35 | 8x 350 mm w45\CL | 8x 350 mm w45\CR | 8x 350 mm w45\DL | 8x 350 mm w45\DR | 24x H=21mm w248 | 1x 30g y1\2 | 1x 4 mm z1 |
| | | | | | | | 1x n26 | 1x Ø3.5x16 mm p38 |

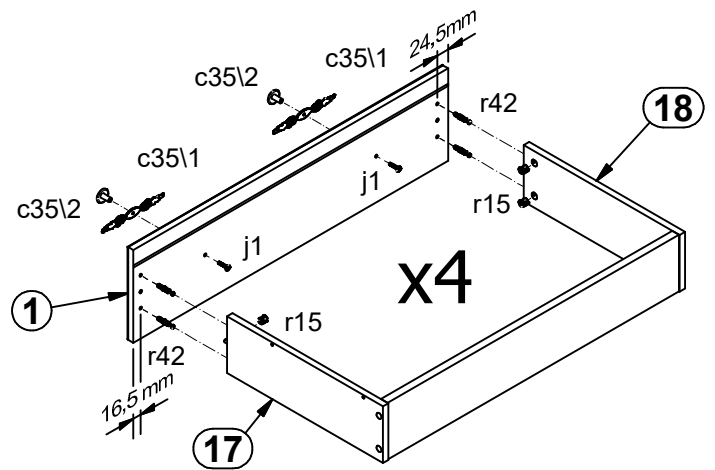
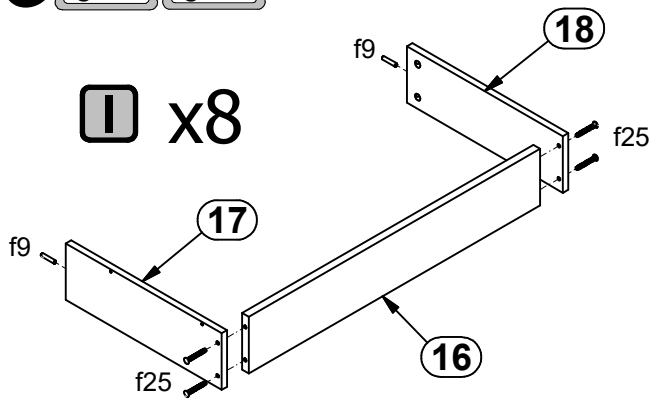


4

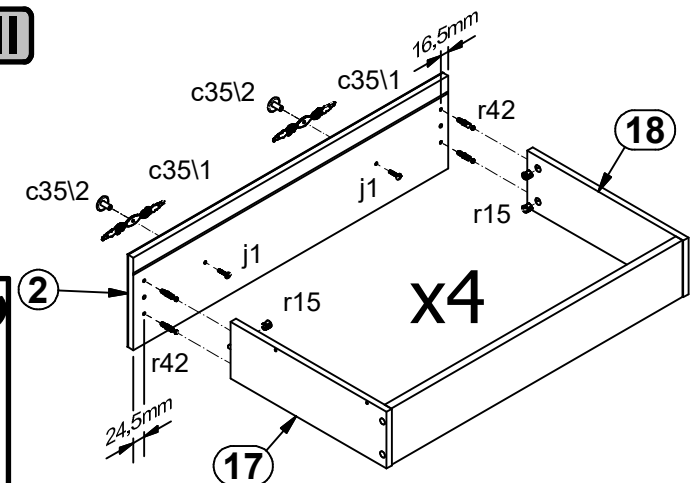
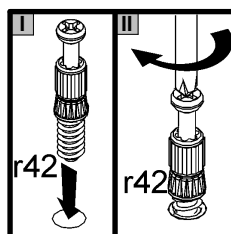
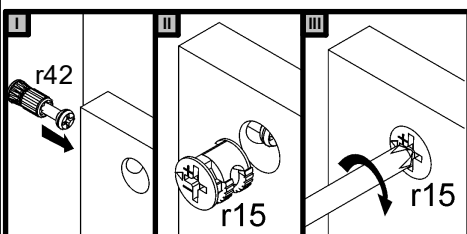
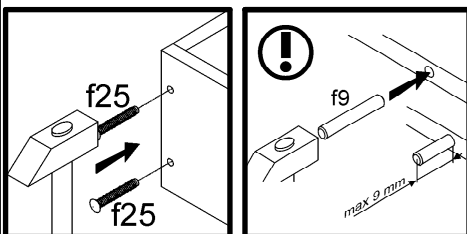


5

I x8

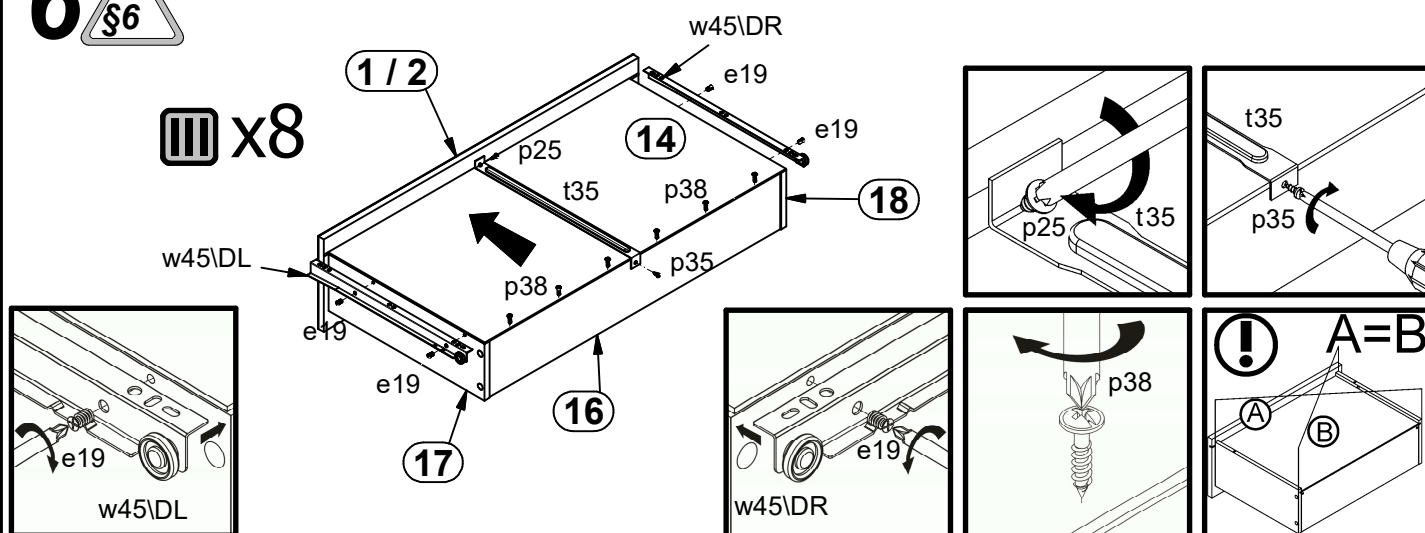


II



6 §6

III x8



7 §6

