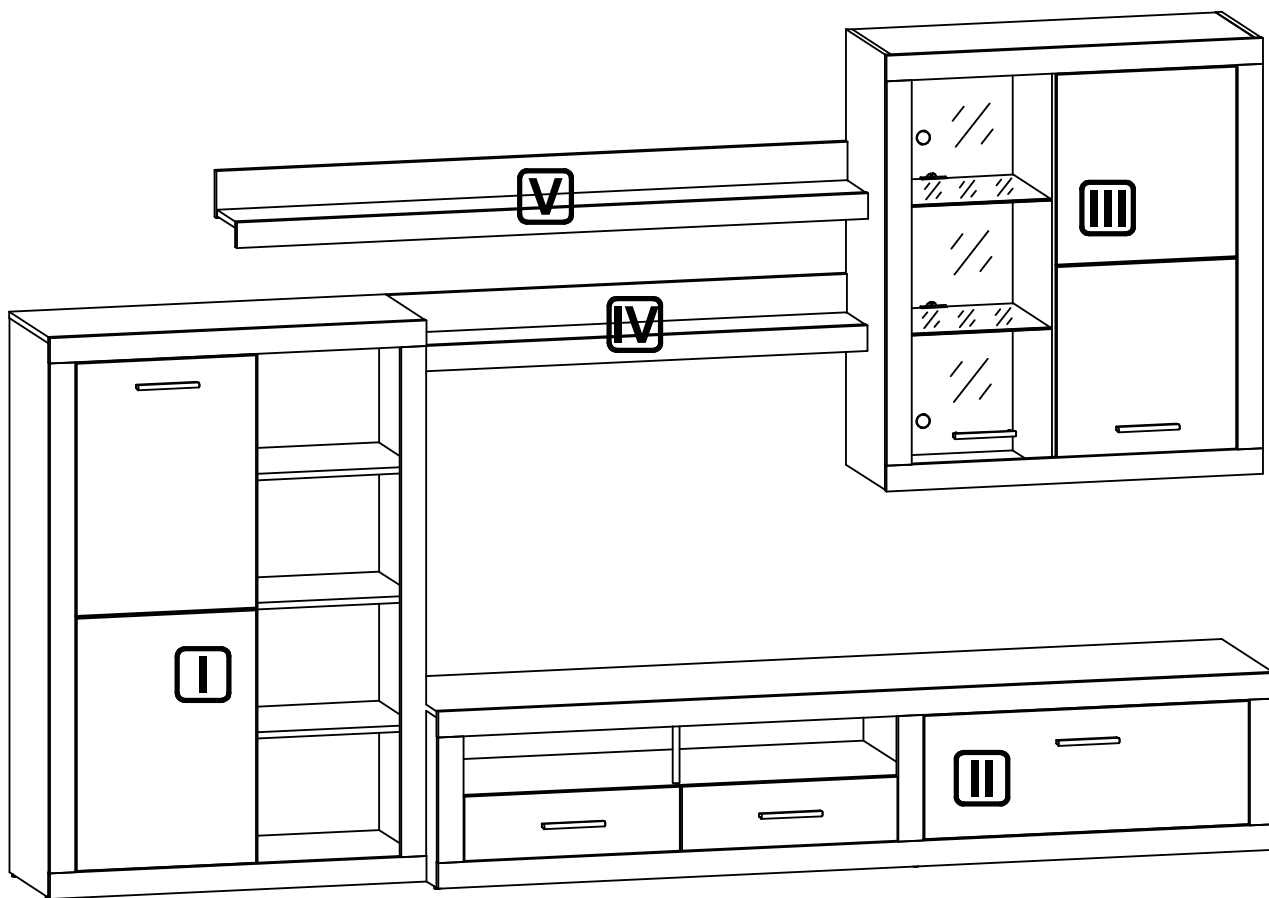
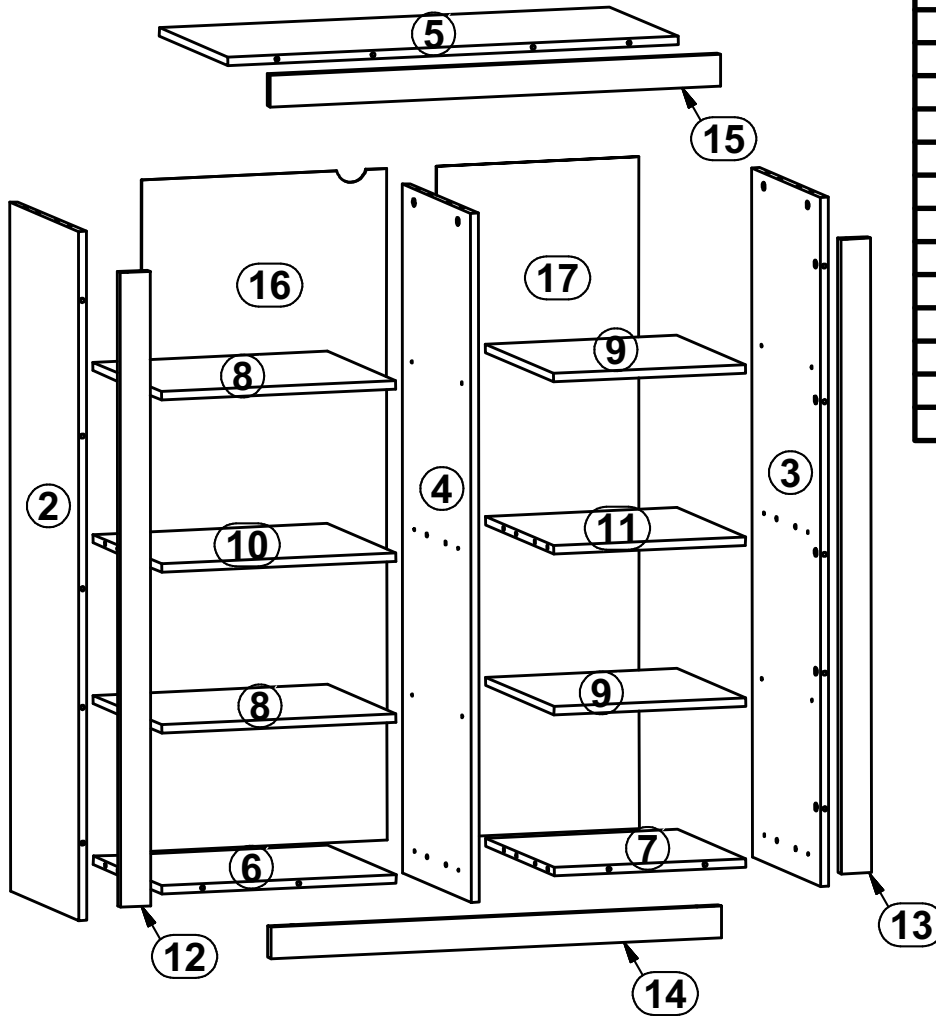
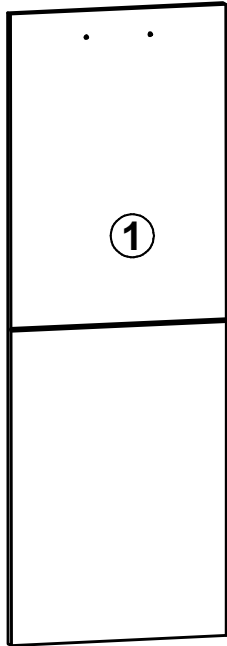
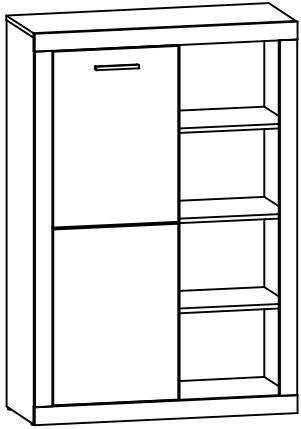


§11

240 min



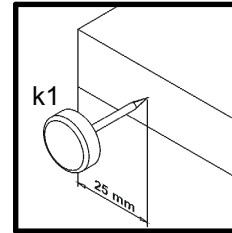
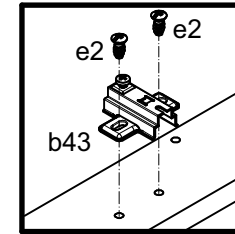
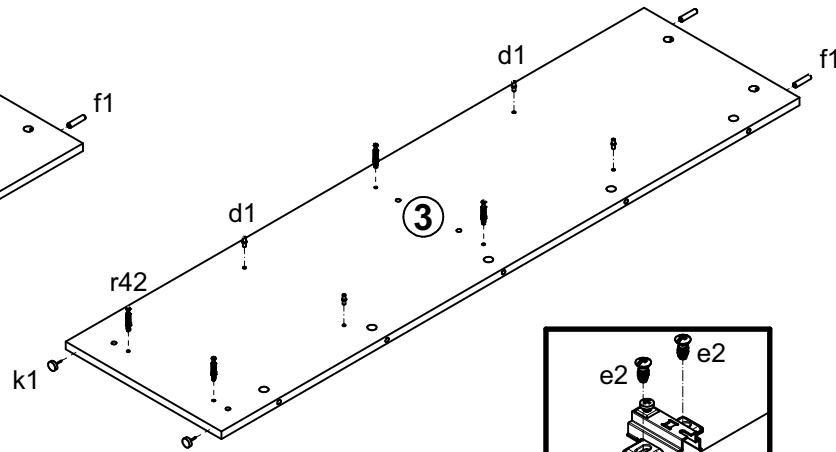
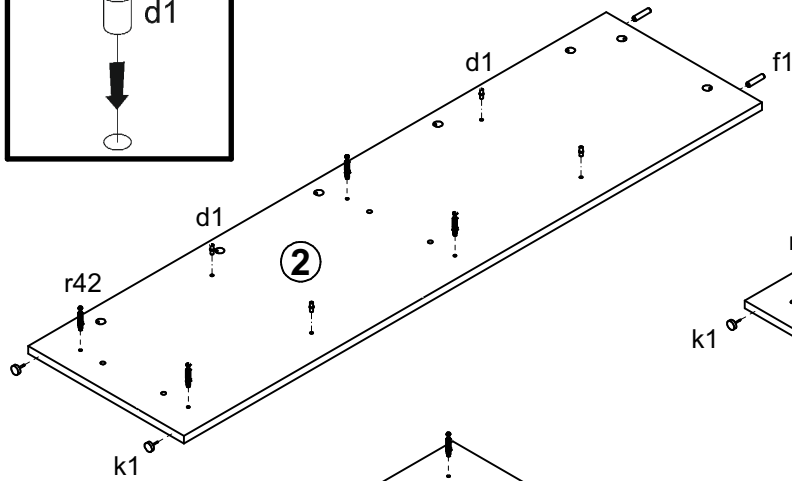
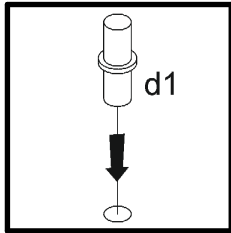
2x a216/1	2x a216/2	4x a216/2											2x a43	6x a132	2x b35	
6x b43	2x b94	6x c235 L=96/128 mm	20x d1 ø5x17 mm	8x d3 ø5x17 mm	24x e1 ø7x50 mm	18x e2 ø6.3x13 mm	12x e3 ø6x13 mm	8x e4 ø5x11 mm	2x e5 ø6.3x13 mm	8x e19 ø5x9 mm	66x f1 ø8x30 mm	24x f6 ø8x50 mm				
8x f25 ø6.5x40 mm	2x f27 ø10x40 mm	8x f35 ø10x50 mm	4x g2	14x k1	135x l1	16x l2	2x m3 L-236	1x n14/2 86x21x15/1.5mm	1x n100 55x30x20/2 mm	12x n108 20x13x3.5/1mm	1x n165L	1x n165P				
2x o1	12x o21 ø8x1.8mm	3x p1 ø3.5x13 mm	10x p9 ø4x30 mm	6x p17 ø5x60 mm	4x p21 ø4x30 mm	4x p38 ø3.5x16 mm	16x p51 ø3.5x15 mm	3x p54 ø3x12 mm	12x p55 ø2.9x16 mm	2x p59 ø4x12 mm	2x p75 ø6x60 mm	131x r1 ø15x12mm #16				
131x r42 20/11	62x s2 ø16	2x u47 ø16x195 mm	2x w5DR 400 mm	2x w5CR 400 mm	2x w5DL 400 mm	2x w5CL 400 mm	1x z1	2x o43/1		1x o43/6.3						



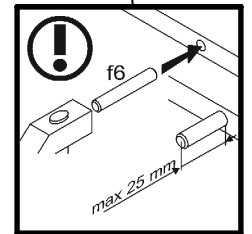
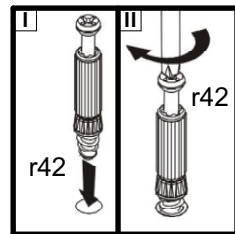
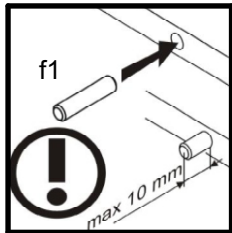
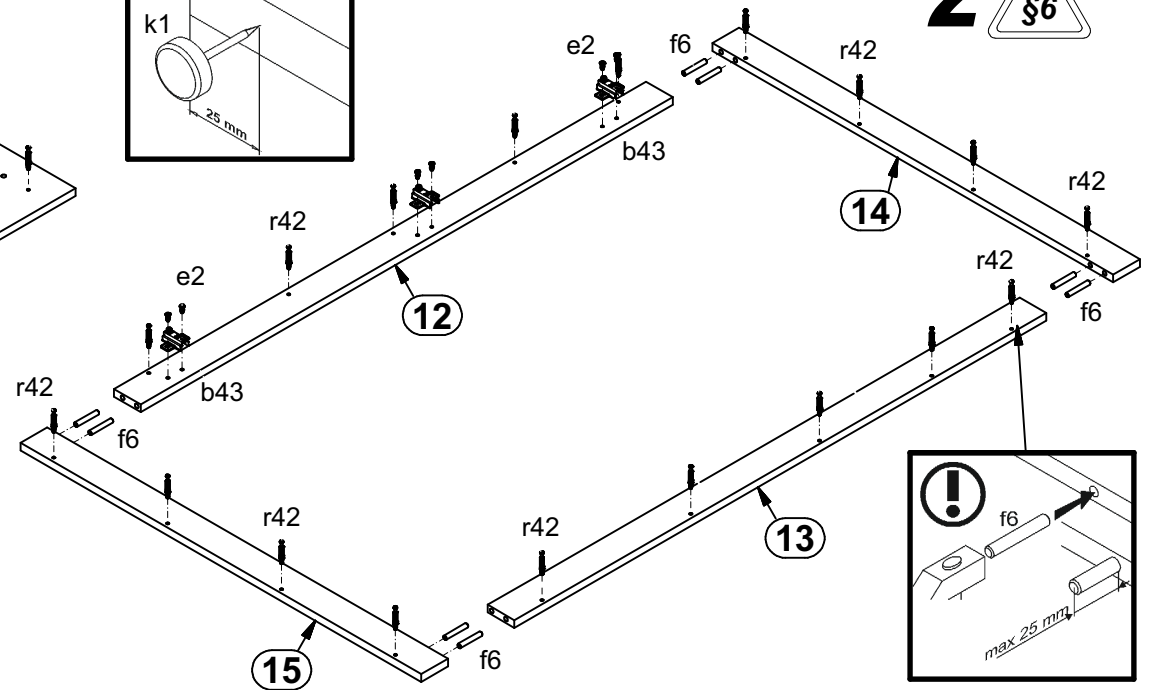
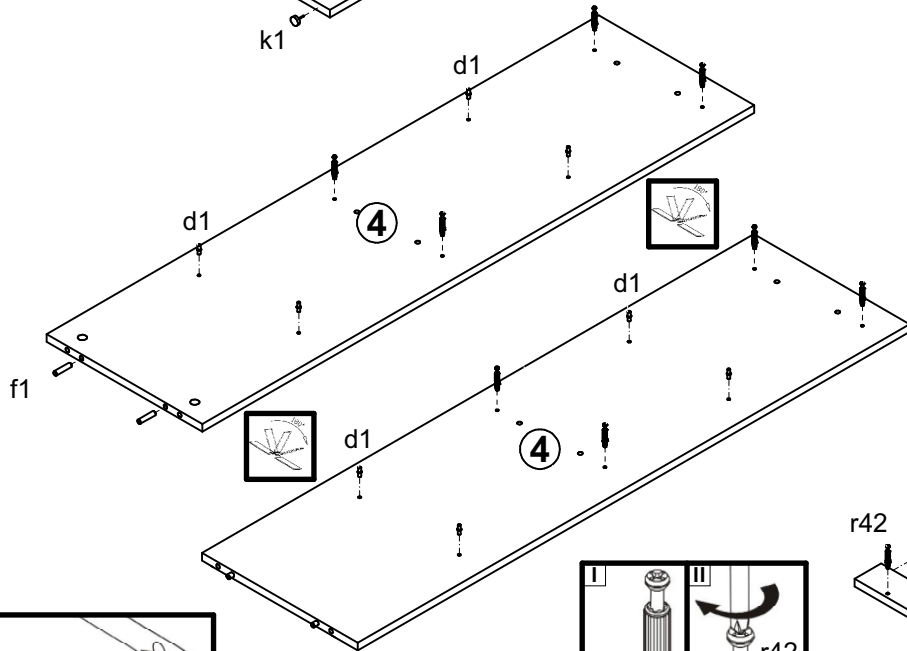
A	B	C (mm)		D
1	N78-004	430	1191	4/4
2	N78-107	1300	350	4/4
3	N78-108	1300	350	4/4
4	N78-109	1300	350	4/4
5	N78-202	900	350	4/4
6	N78-305	468	350	4/4
7	N78-306	383	350	4/4
8	N78-307	468	350	4/4
9	N78-308	383	350	4/4
10	N78-309	468	350	4/4
11	N78-310	383	350	4/4
12	N78-509	1197	60	4/4
13	N78-510	1197	60	4/4
14	N78-511	900	60	4/4
15	N78-512	900	60	4/4
16	N78-903	1267	489	4/4
17	N78-904	1267	404	4/4



1 



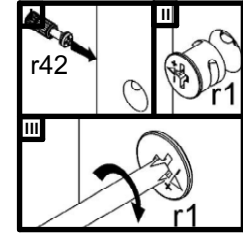
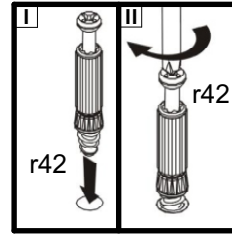
2 



15

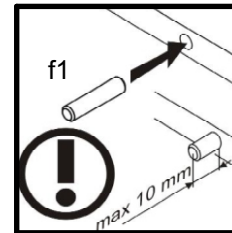
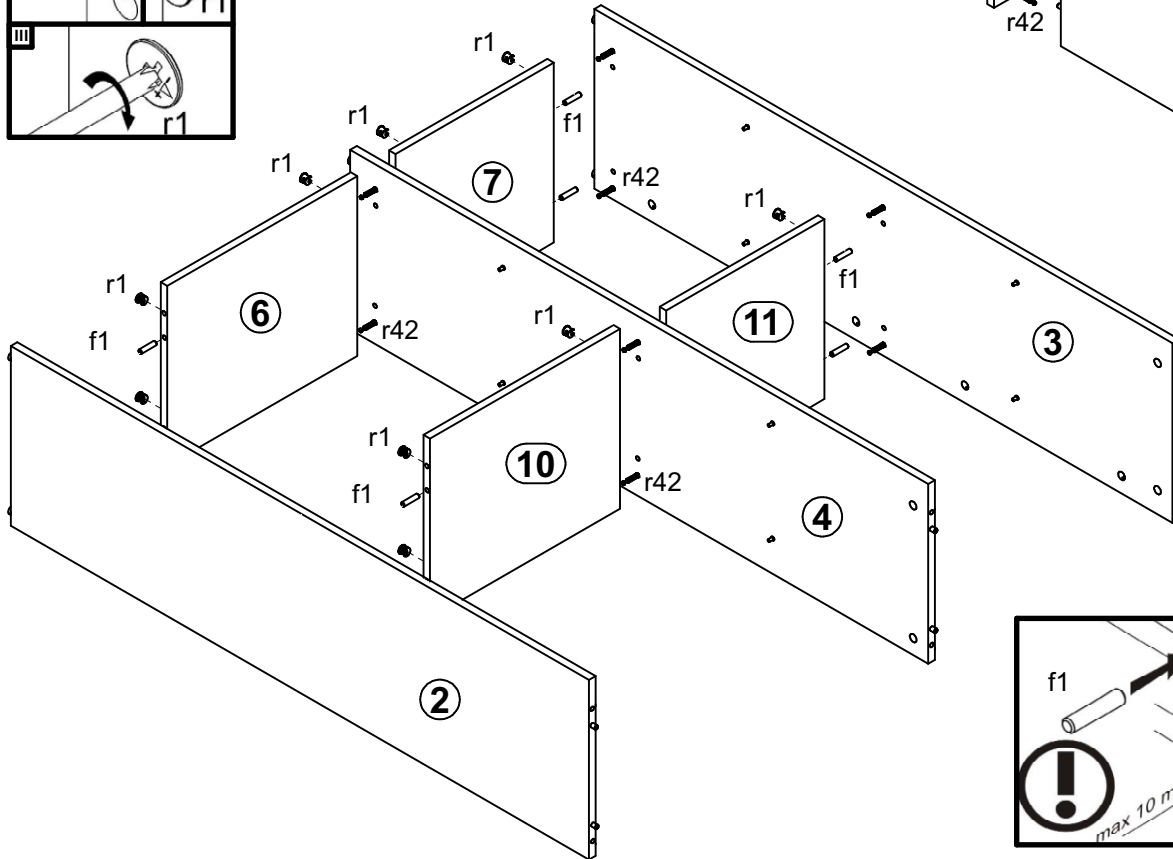
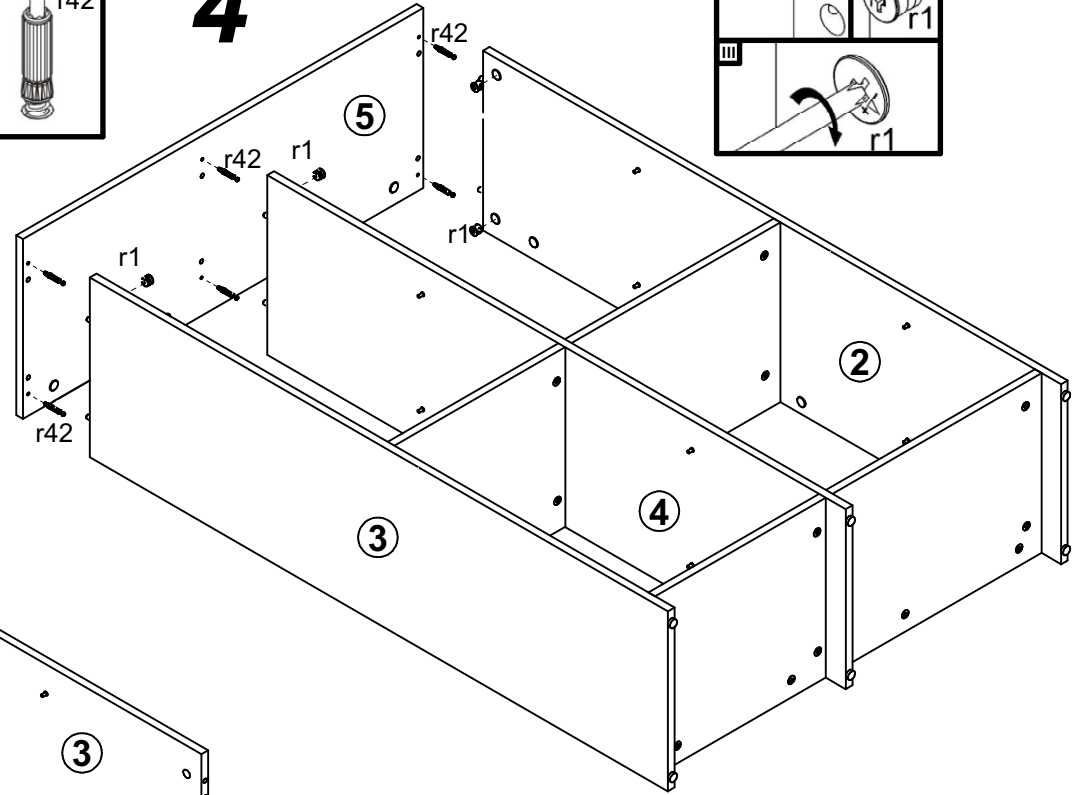
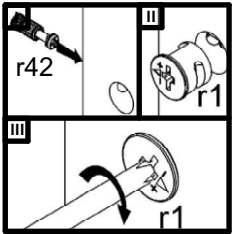
13

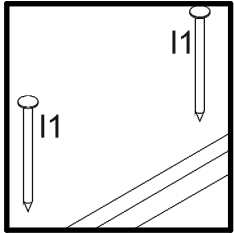
14



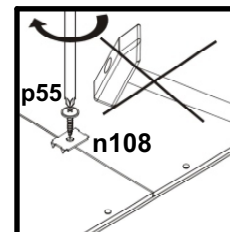
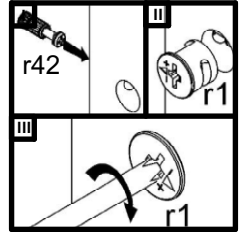
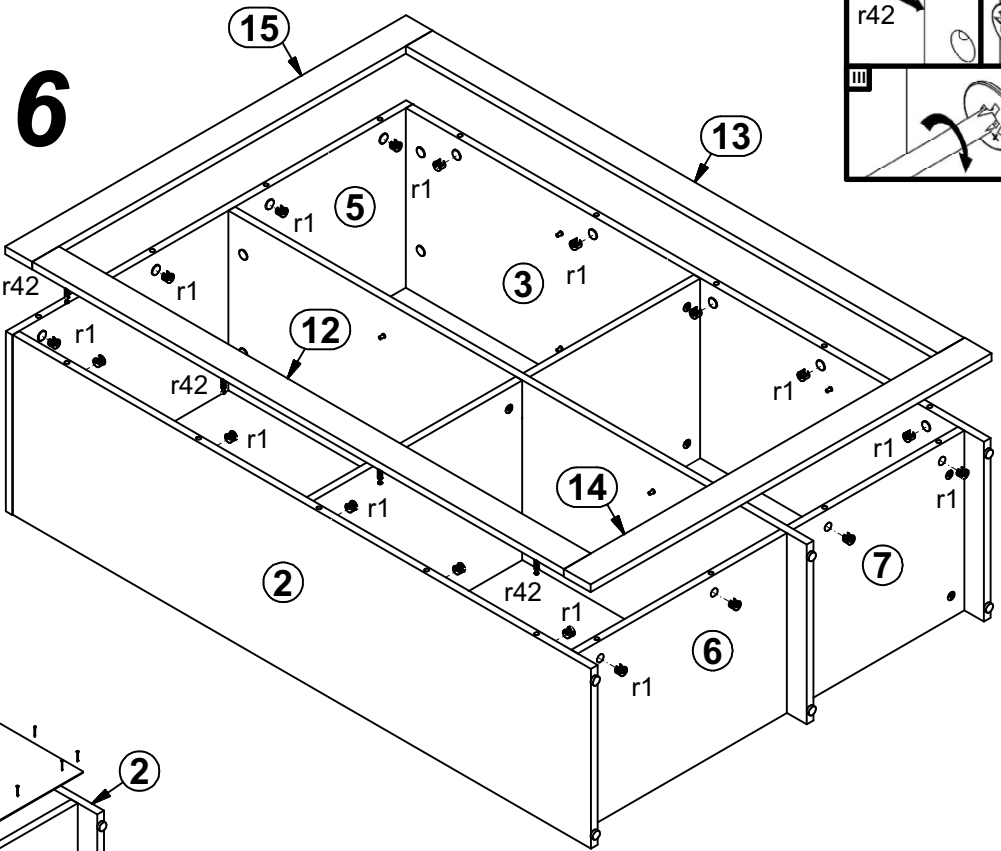
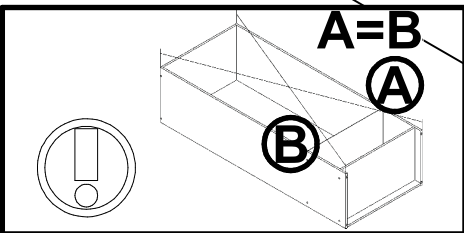
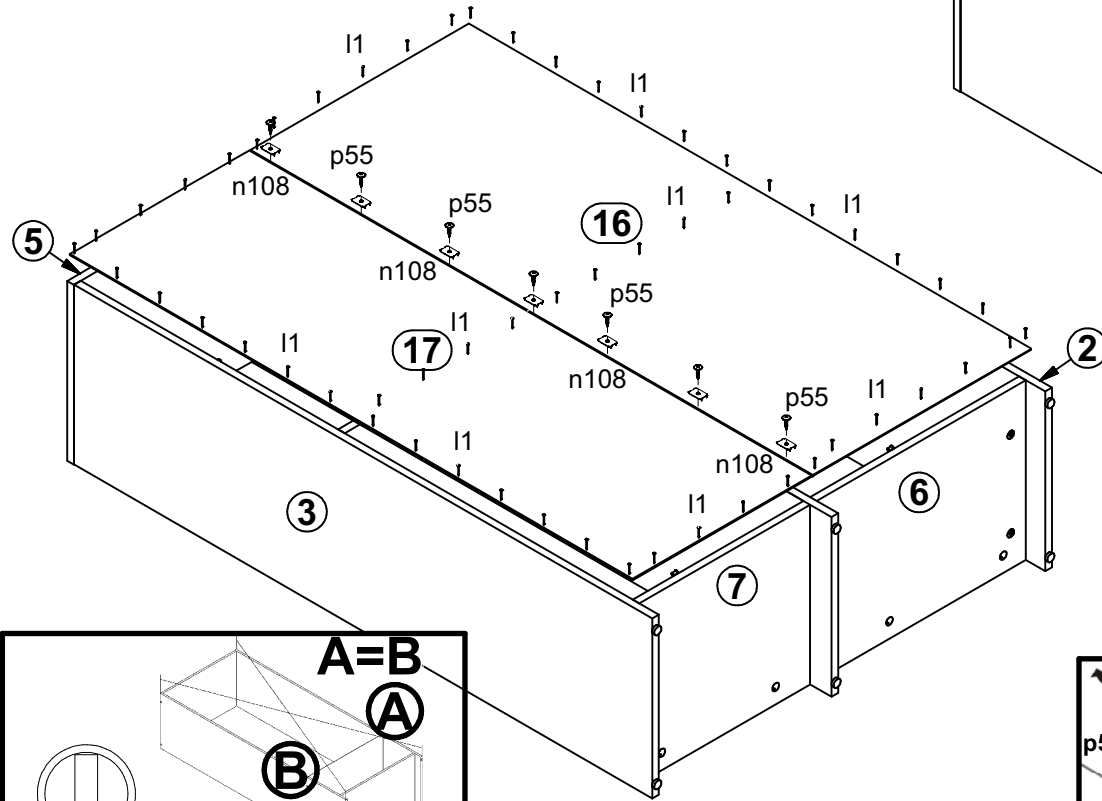
4

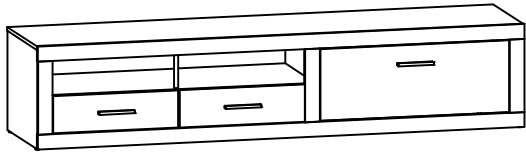
3



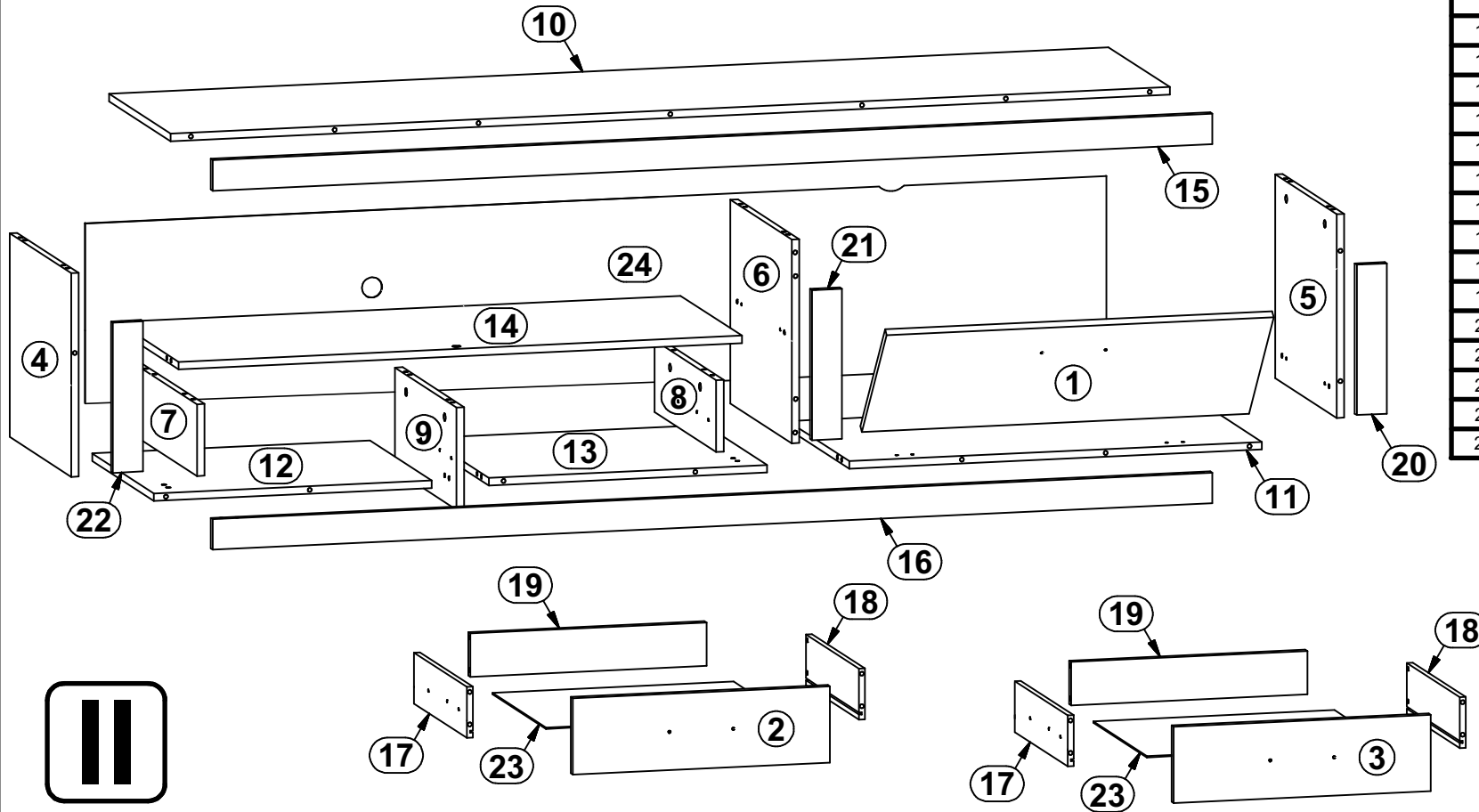


5

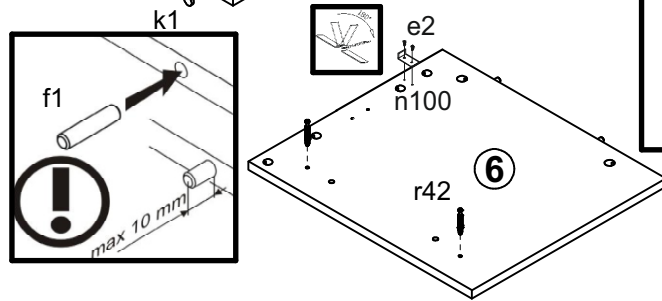
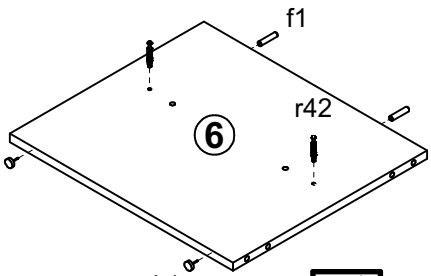
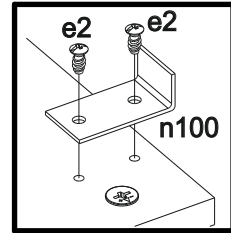
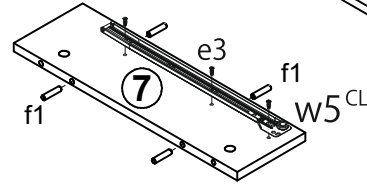
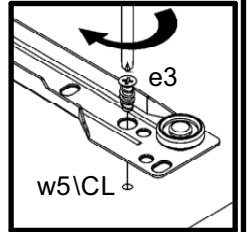
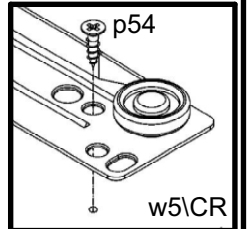
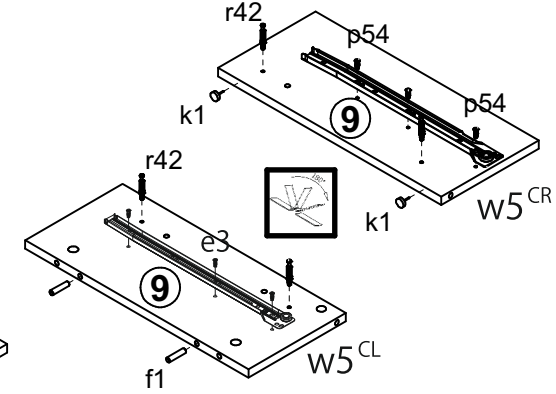
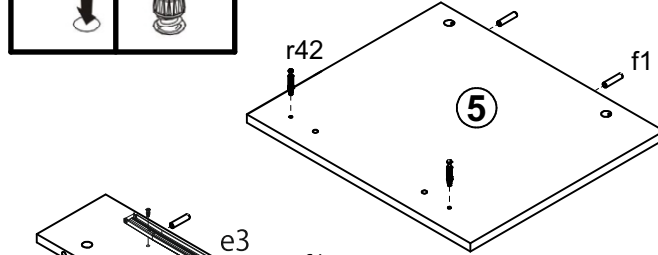
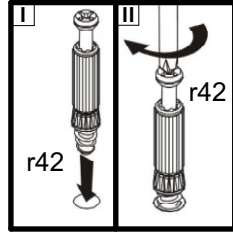




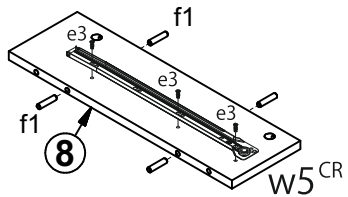
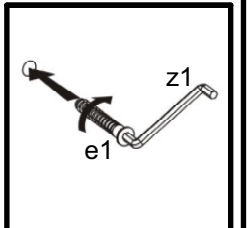
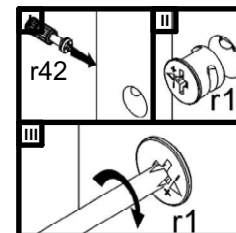
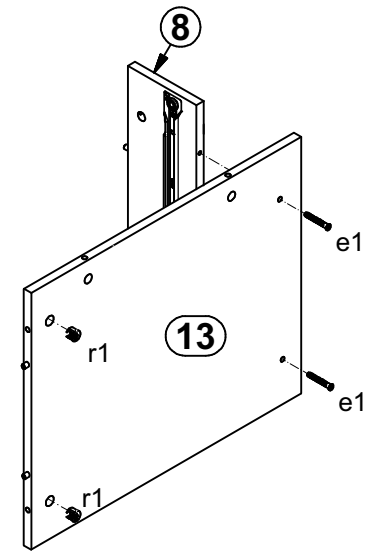
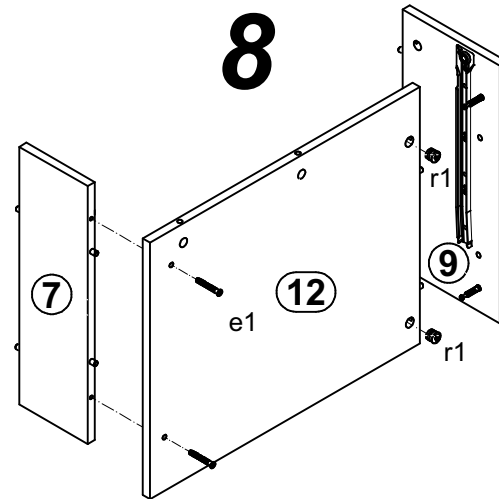
A	B	C (mm)		D
1	N78-001	776	291	2/4
2	N78-002	515	143	2/4
3	N78-003	515	143	2/4
4	N78-101	400	460	1/4
5	N78-102	400	460	1/4
6	N78-103	400	460	1/4
7	N78-104	130	460	1/4
8	N78-105	130	460	1/4
9	N78-106	189	460	1/4
10	N78-201	2000	460	1/4
11	N78-301	826	460	2/4
12	N78-302	554,5	460	2/4
13	N78-303	554,5	460	2/4
14	N78-304	1125	460	2/4
15	N78-501	2000	60	1/4
16	N78-502	2000	60	1/4
17	N78-503	400	100	1/4
18	N78-504	400	100	1/4
19	N78-505	454	100	1/4
20	N78-506	297	60	2/4
21	N78-507	297	60	2/4
22	N78-508	297	60	2/4
23	N78-901	464	400	1/4
23	N78-902	367	1993	1/4



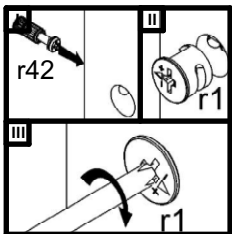
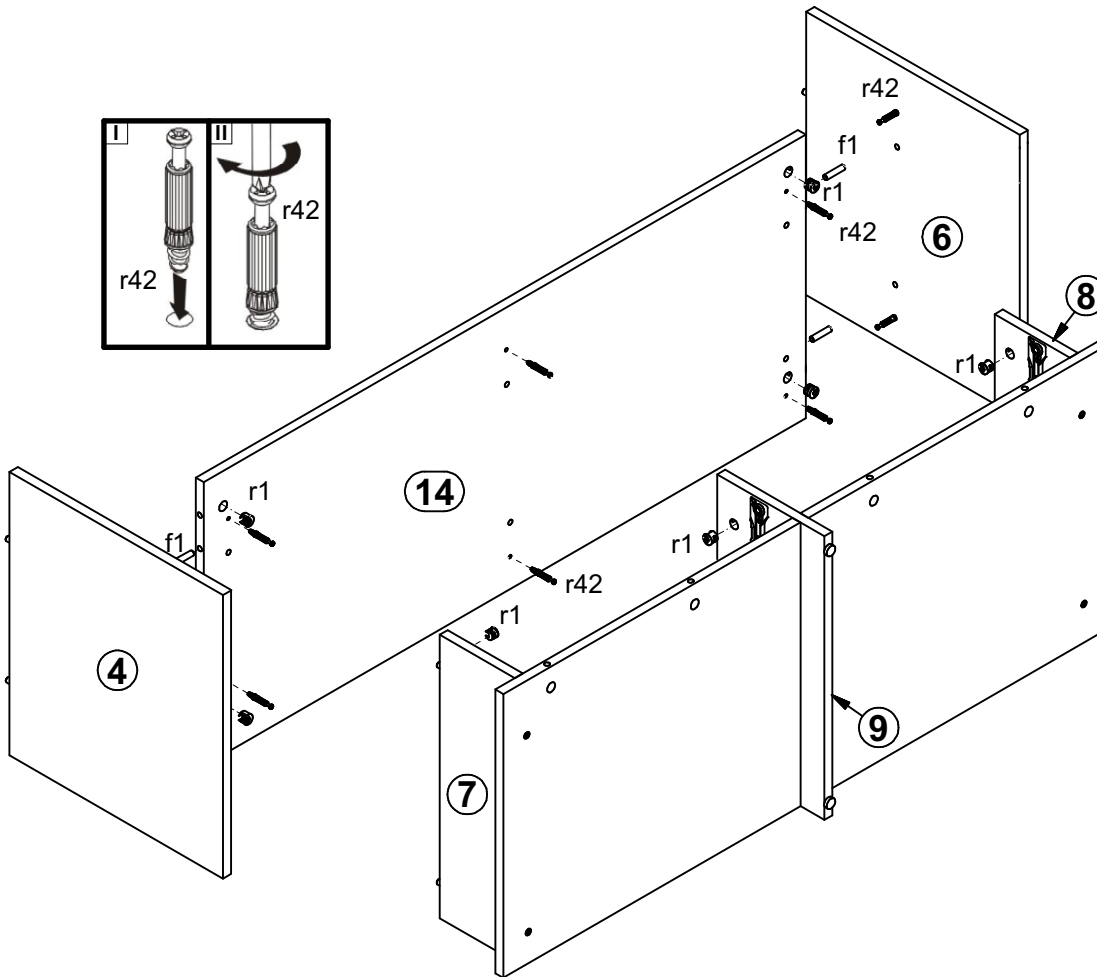
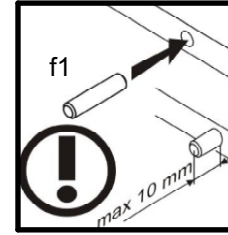
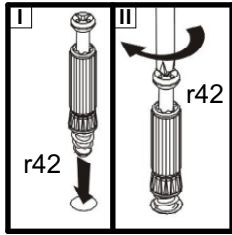
7

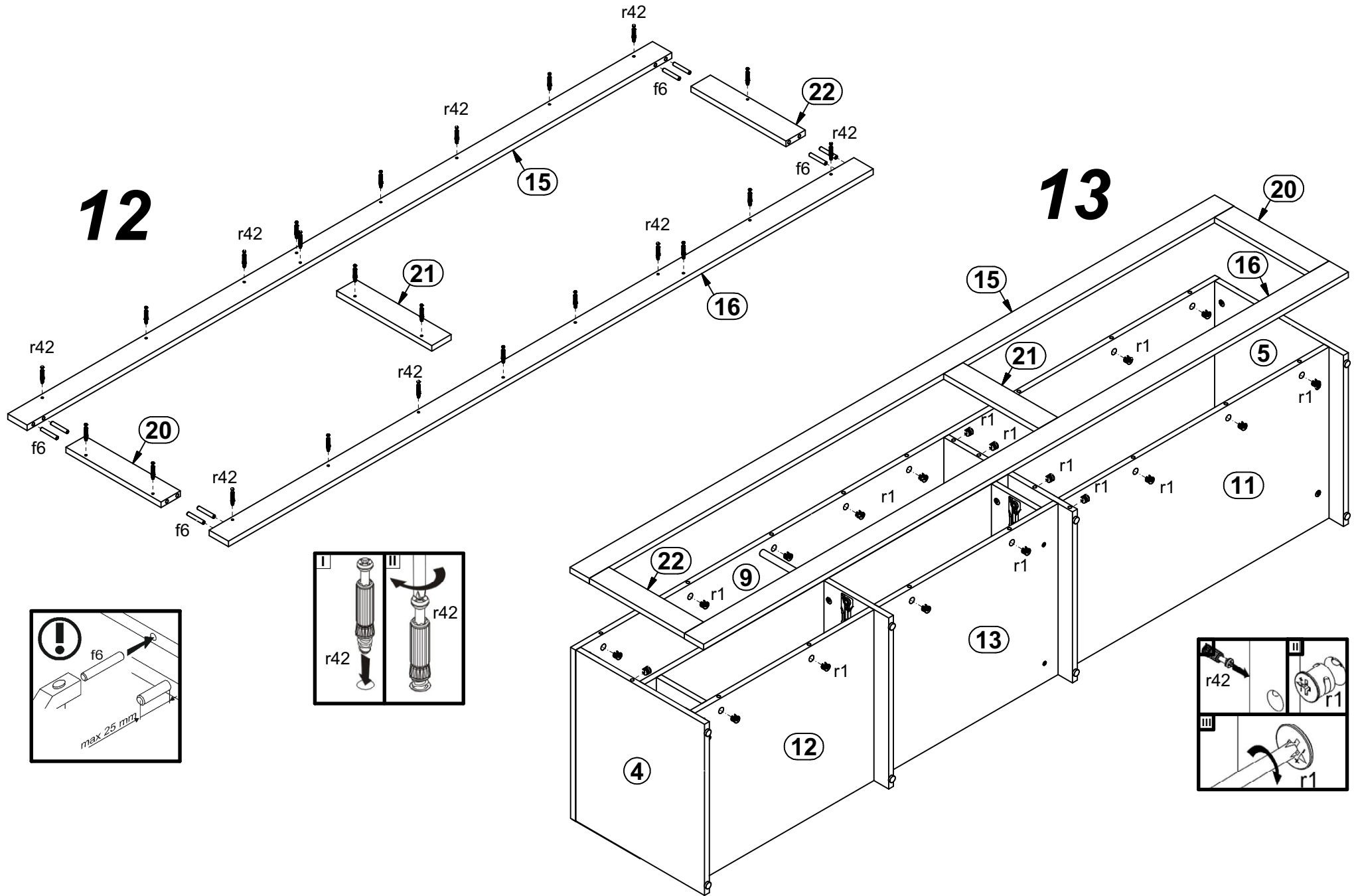


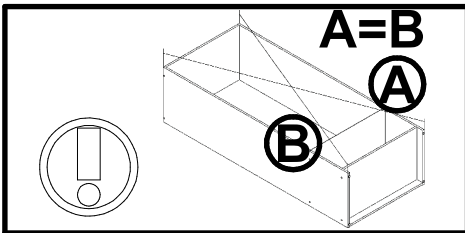
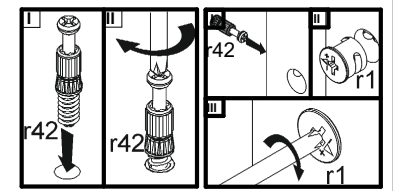
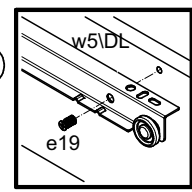
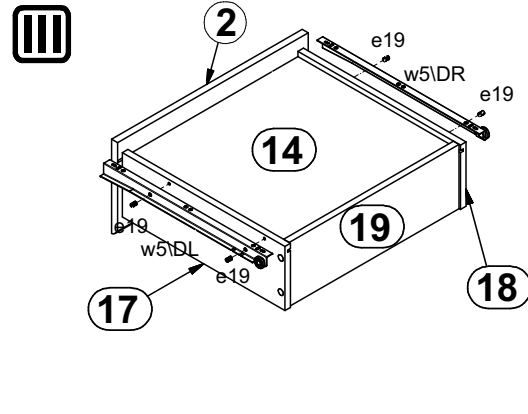
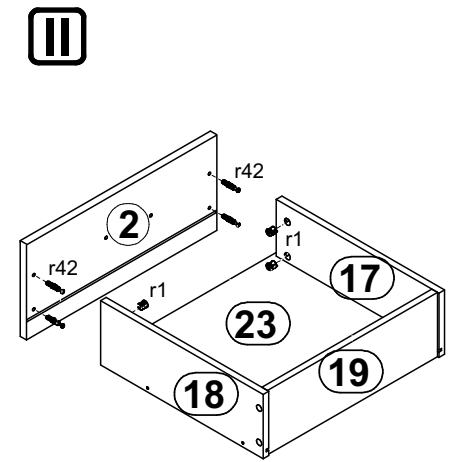
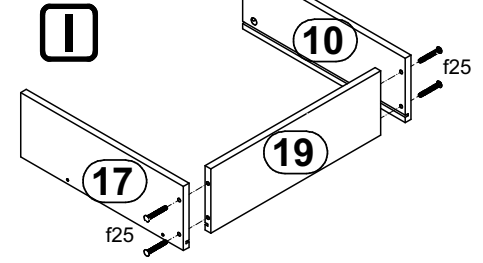
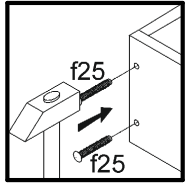
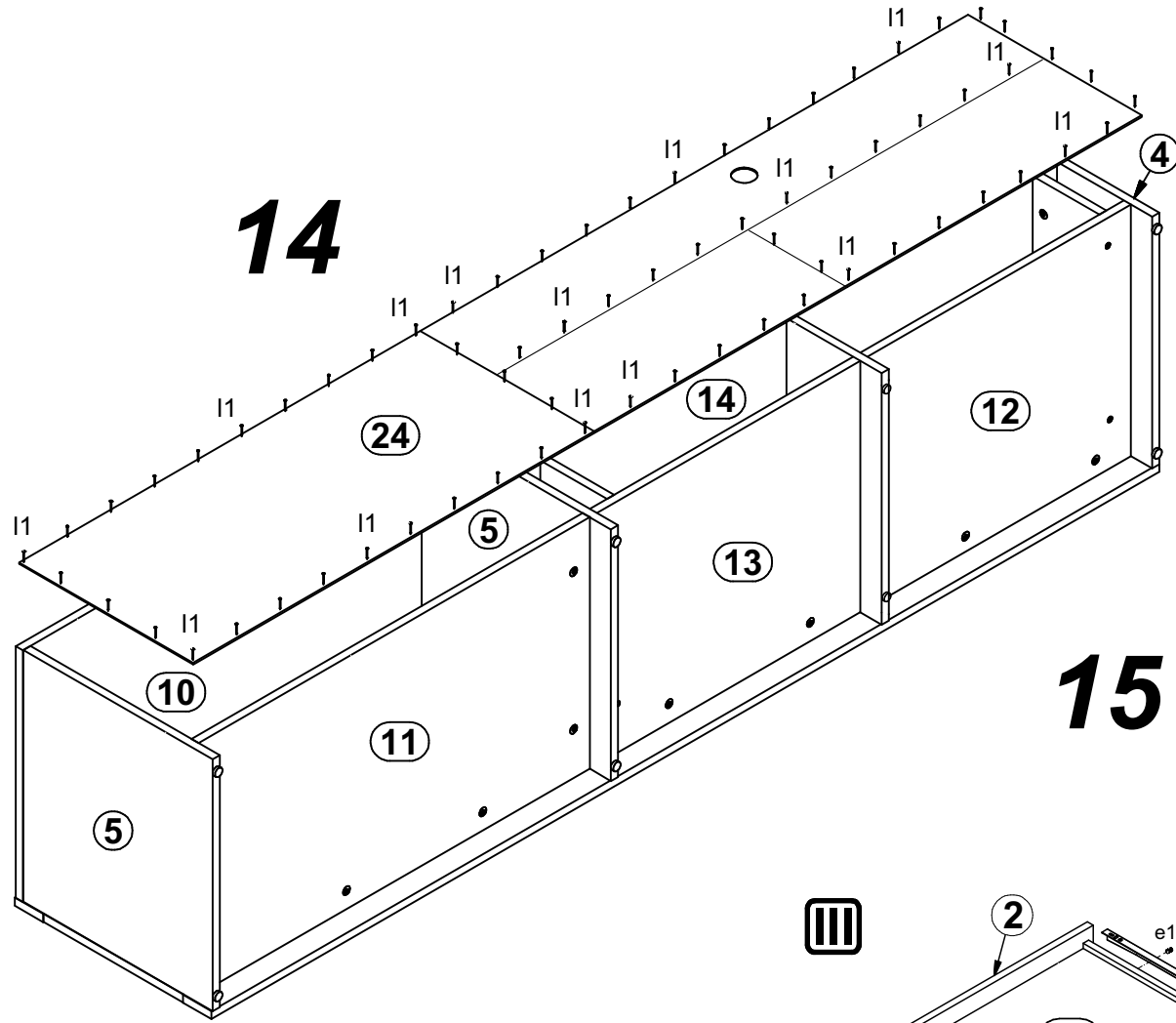
8



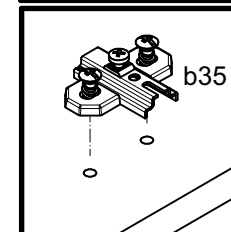
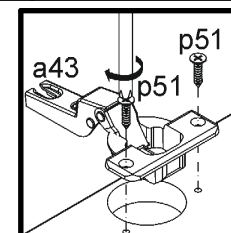
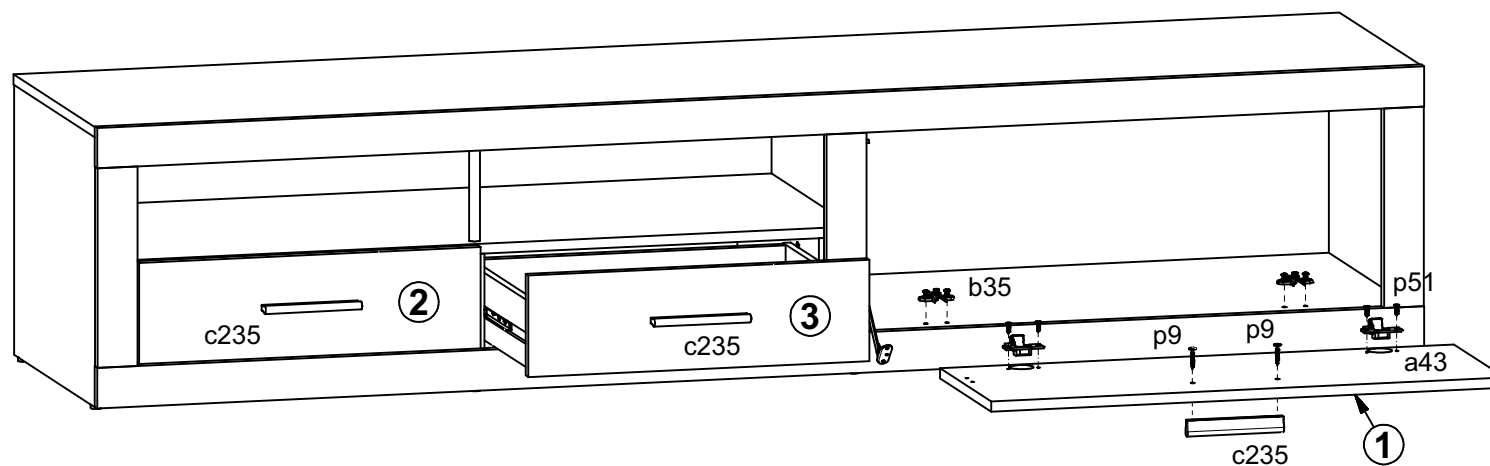
9



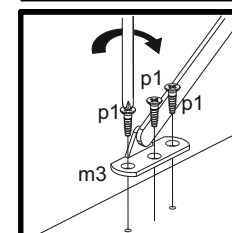
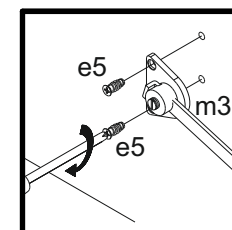
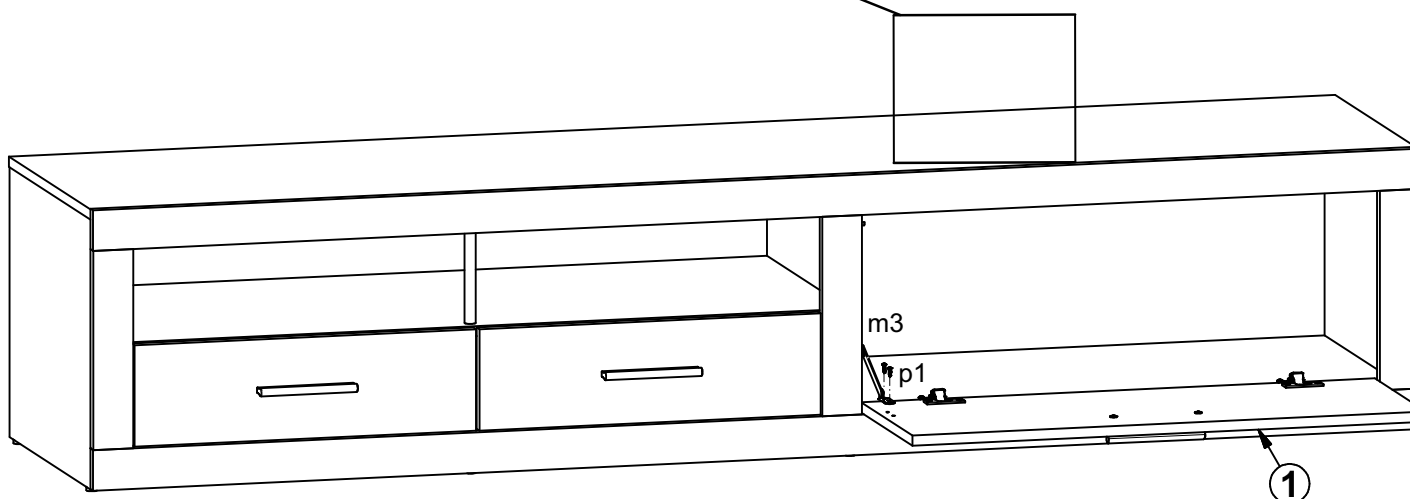
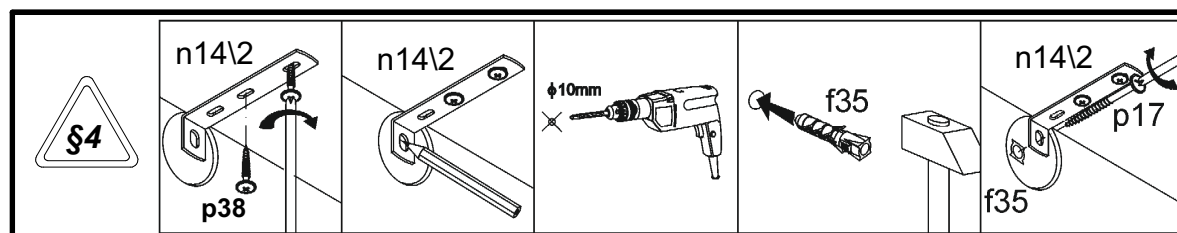


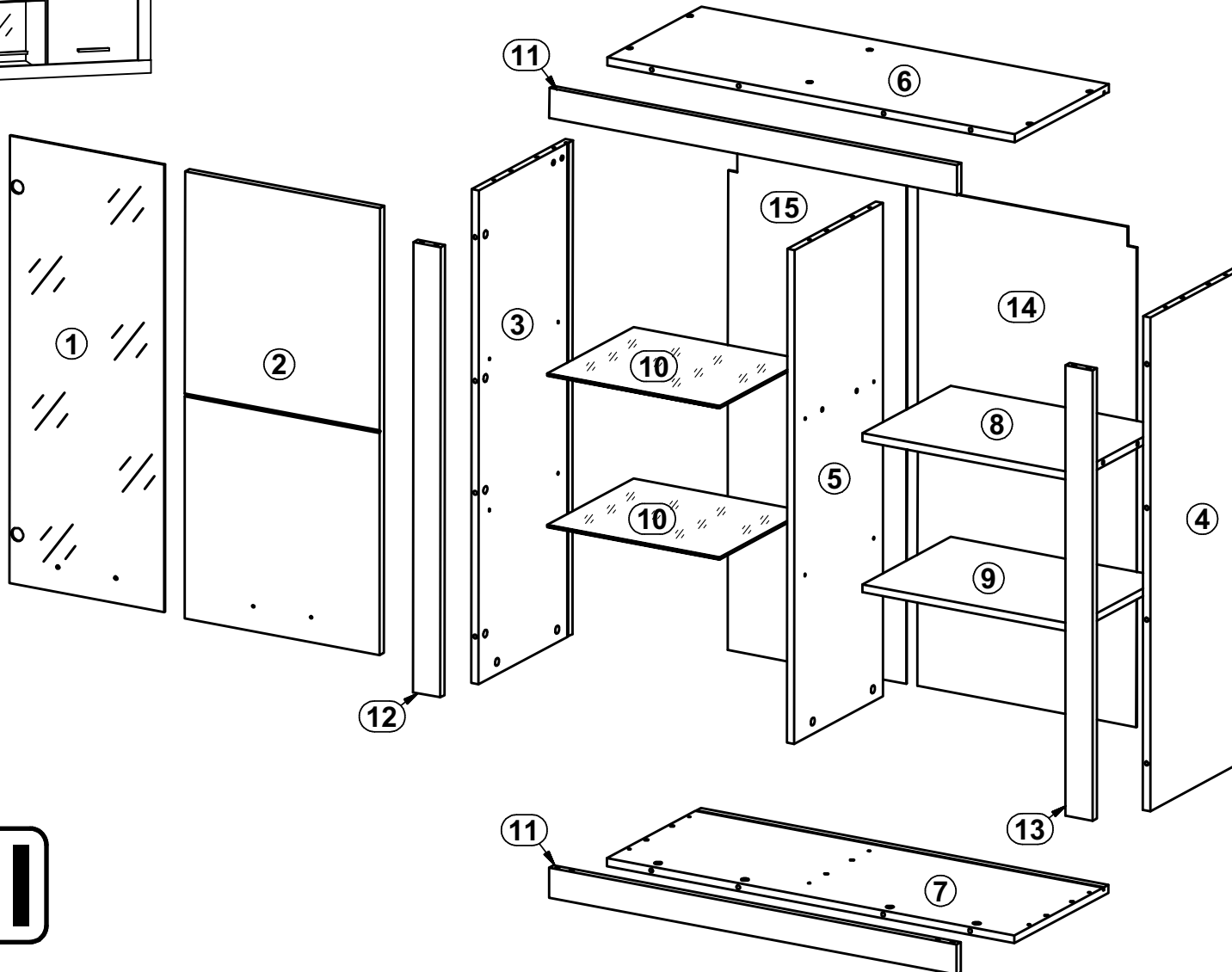
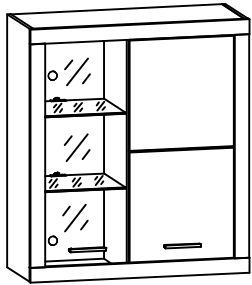


16

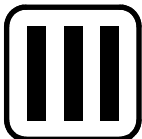


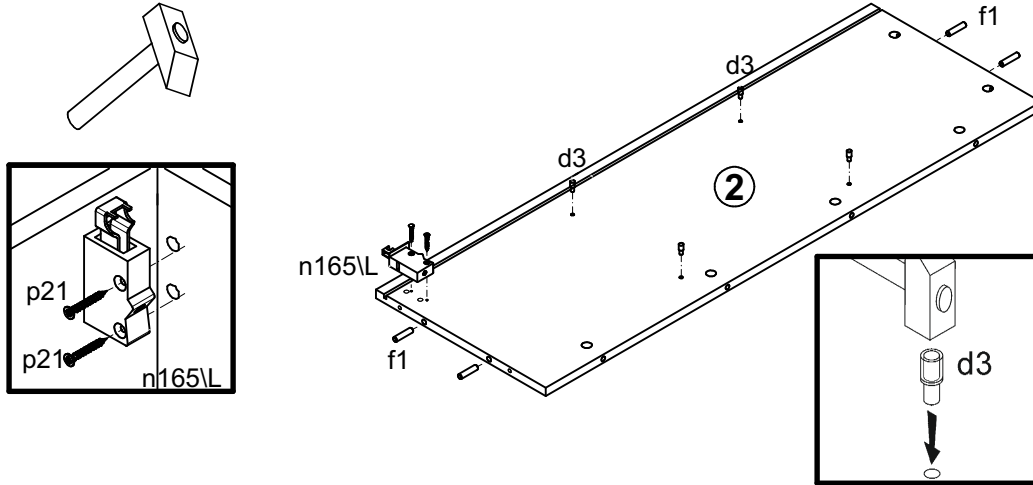
17



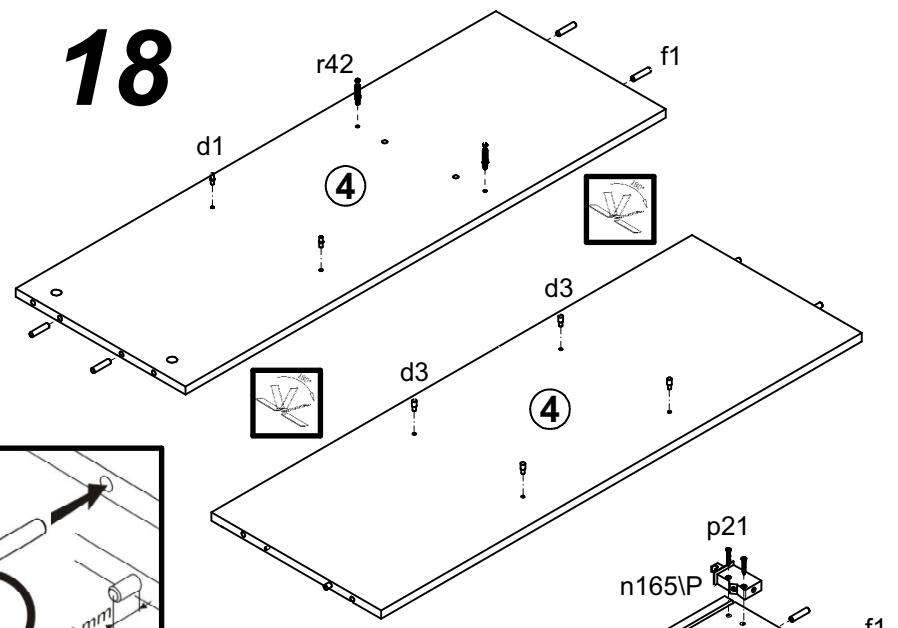


A	B	C (mm)		D
1	N78-005	896	341	3/4
2	N78-006	430	896	3/4
3	N78-110	989	350	3/4
4	N78-111	989	350	3/4
5	N78-112	989	350	3/4
6	N78-203	900	350	3/4
7	N78-204	900	350	3/4
8	N78-313	470	330	3/4
9	N78-314	470	330	3/4
10	N78-515	380	322	3/4
11	N78-512	900	60	3/4
12	N78-516	902	60	3/4
13	N78-517	902	60	3/4
14	N78-905	999	483	3/4
15	N78-906	999	394	3/4

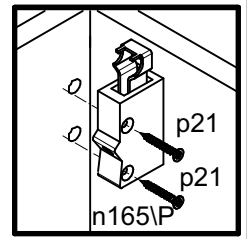
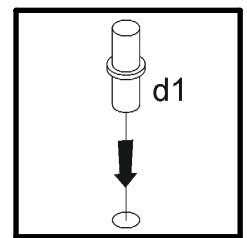
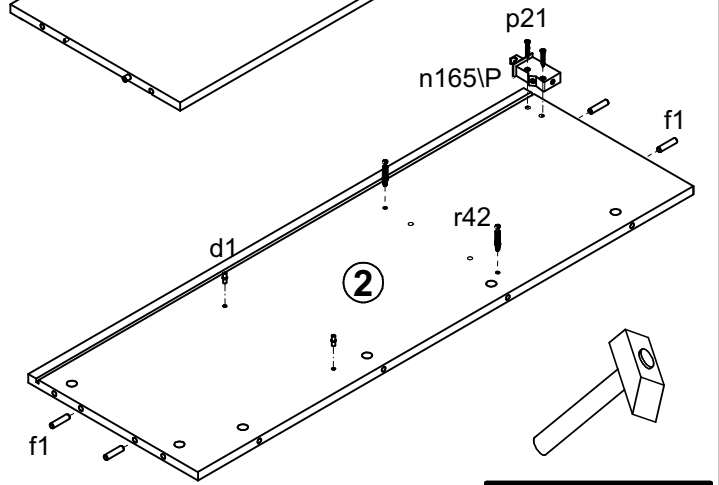
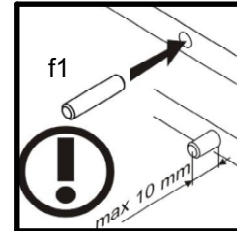
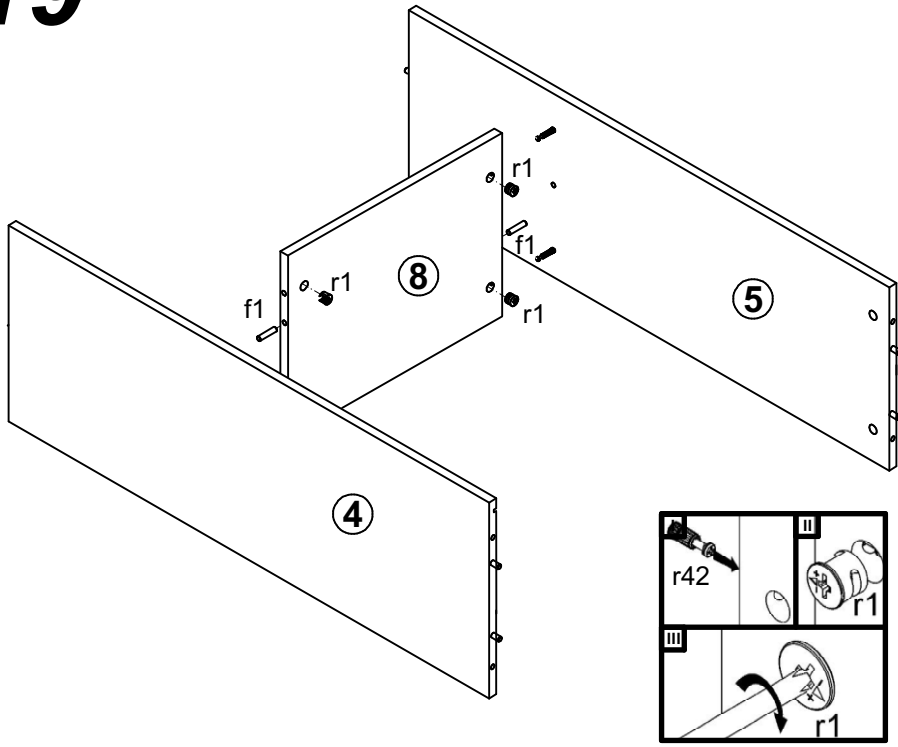




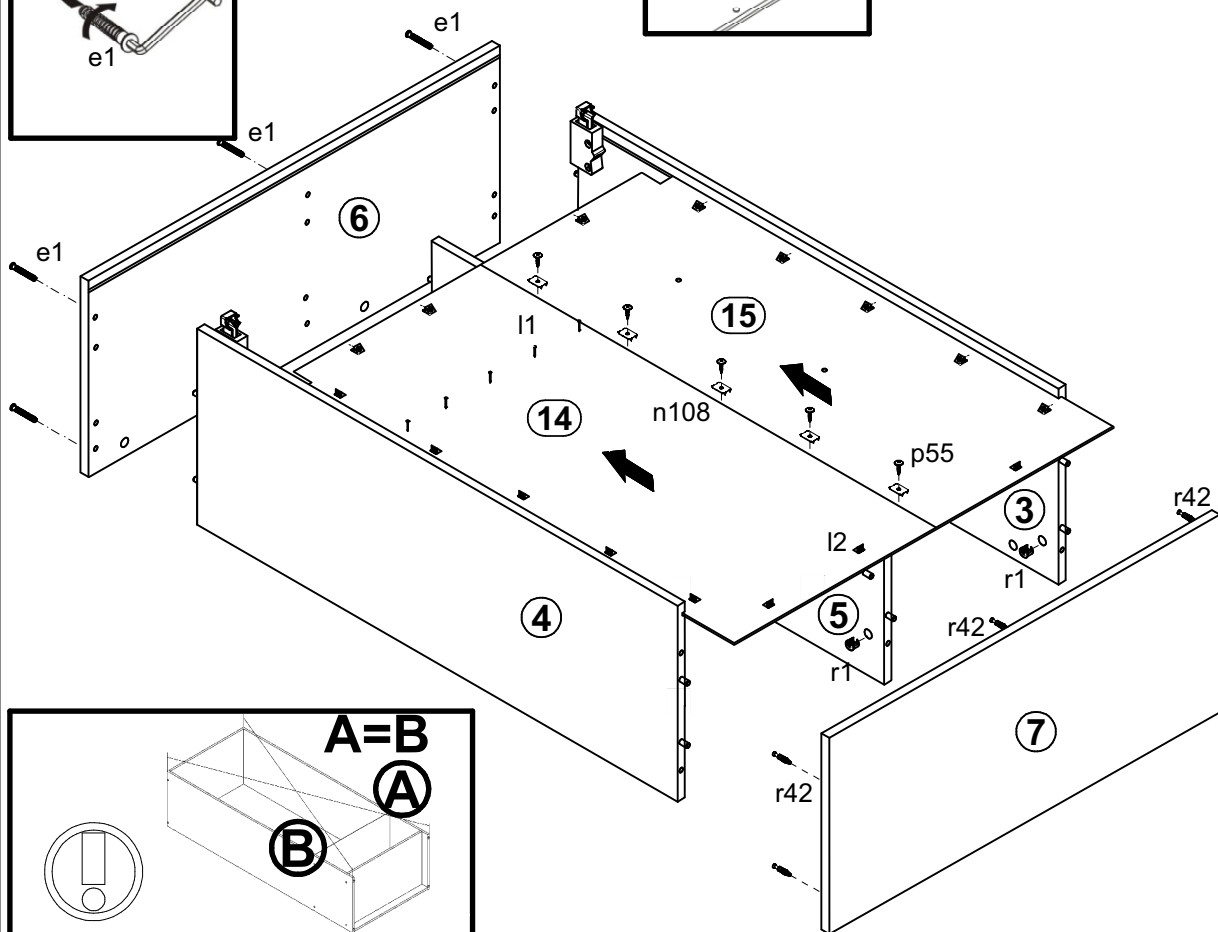
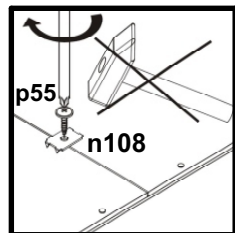
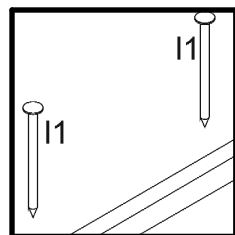
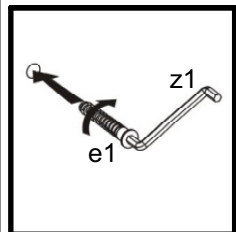
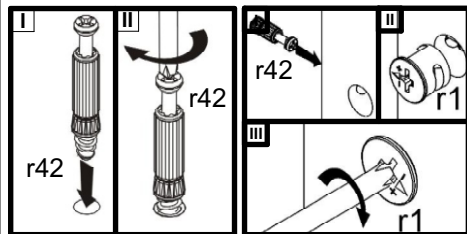
18



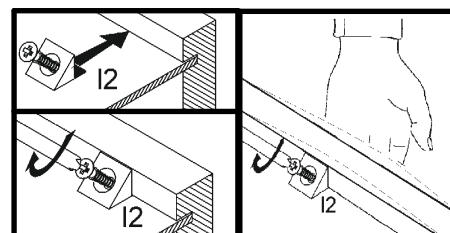
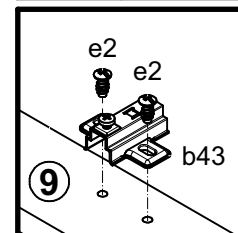
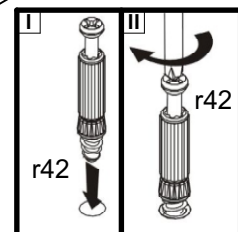
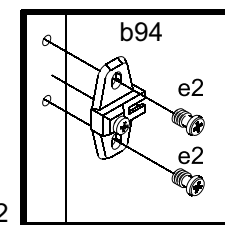
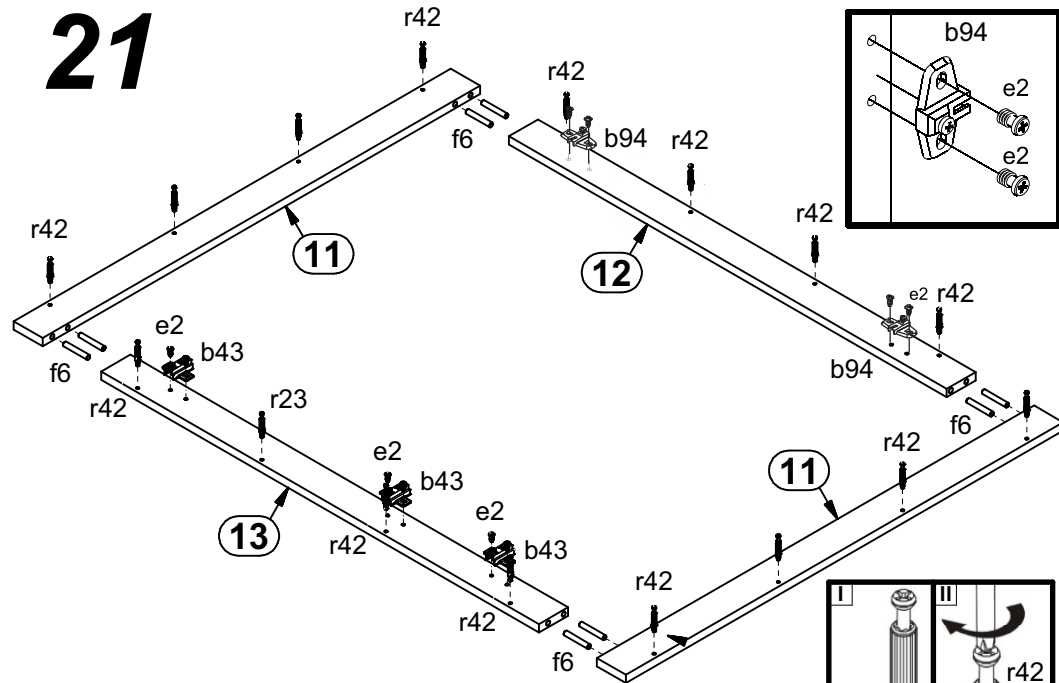
19



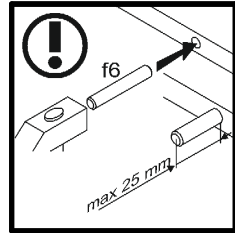
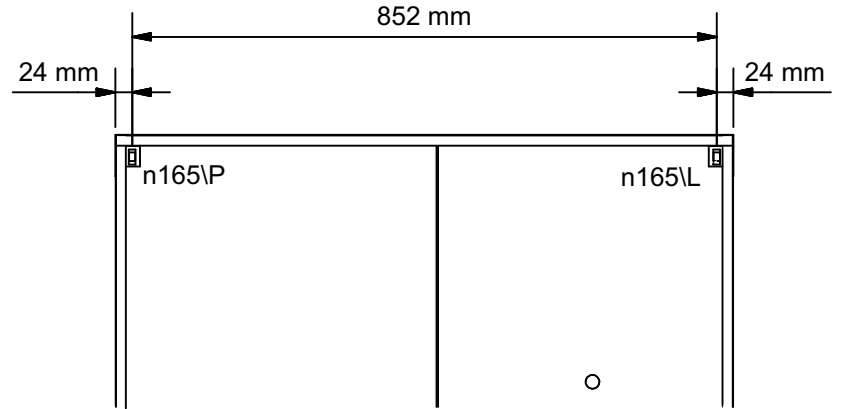
20



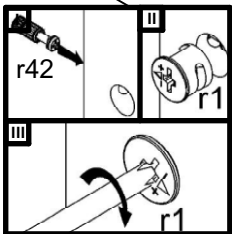
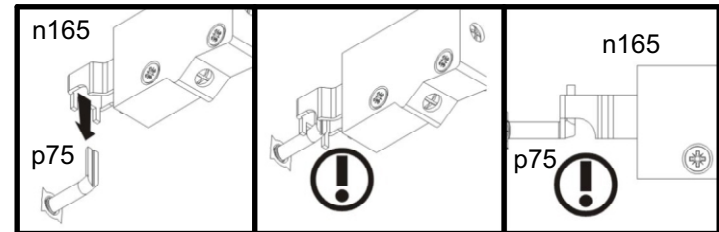
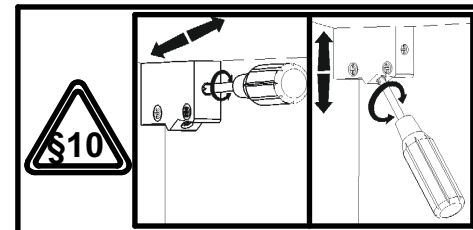
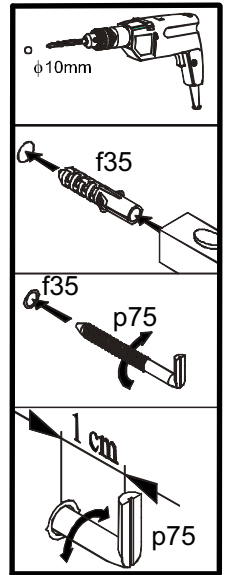
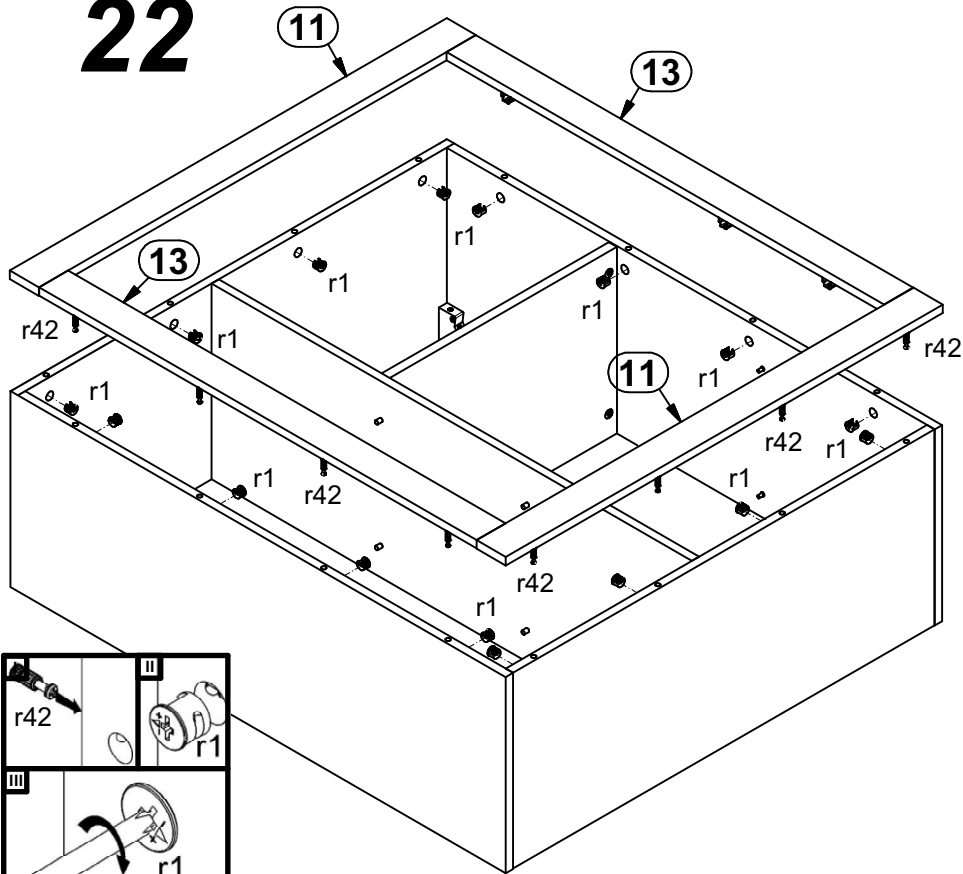
21

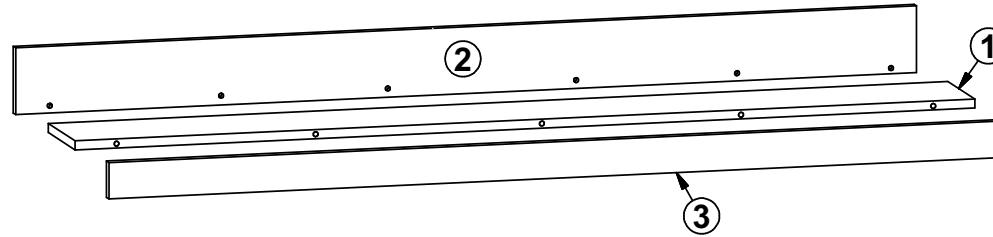


23



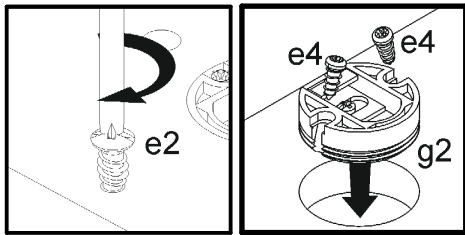
22



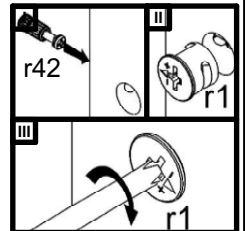
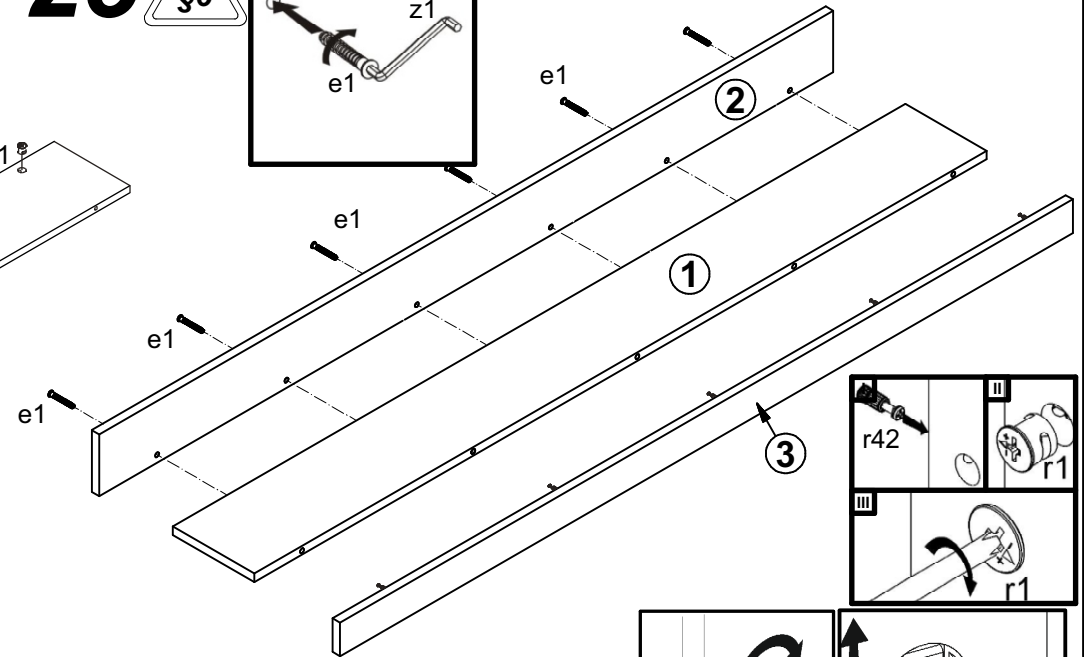
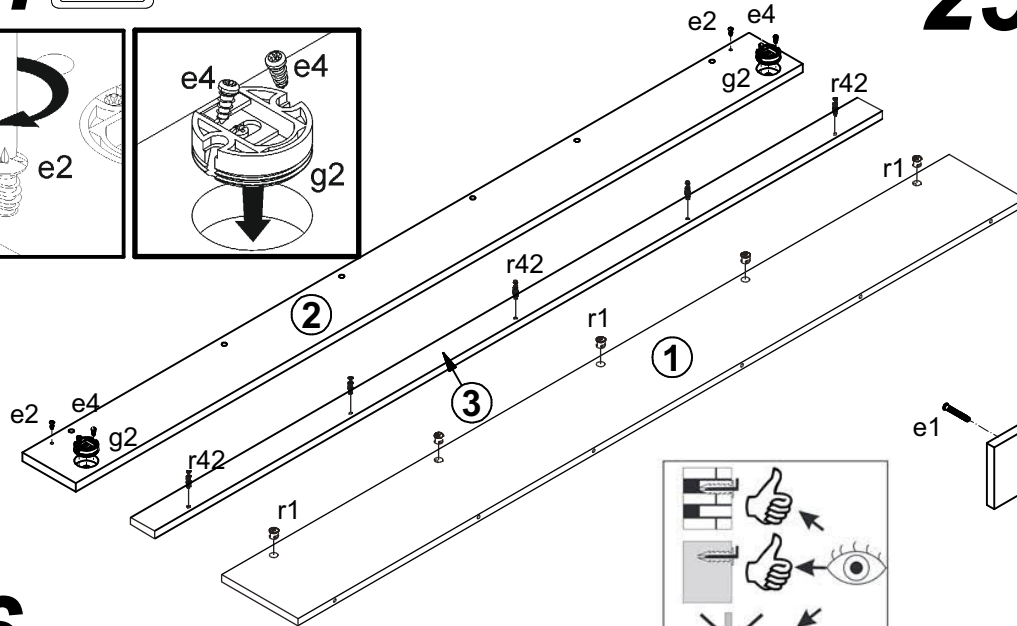
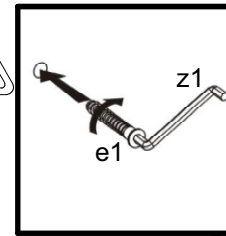


A	B	C (mm)		D
1	N78-311	1098	168	2/4
2	N78-401	1099	110	2/4
3	N78-513	1099	60	2/4

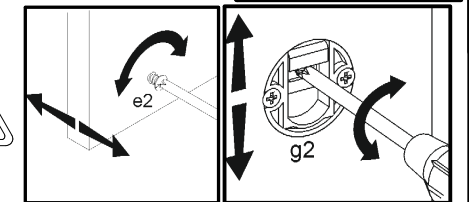
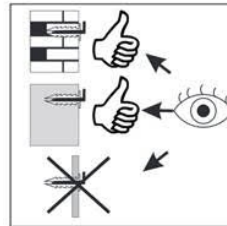
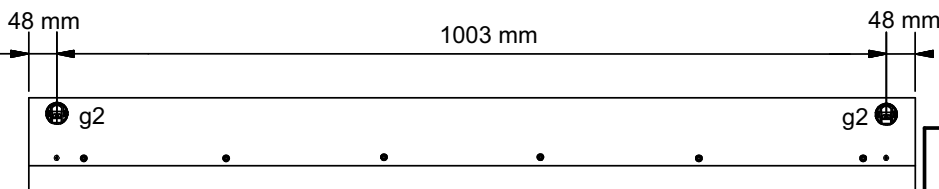
24



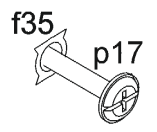
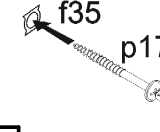
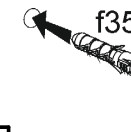
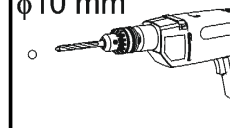
25

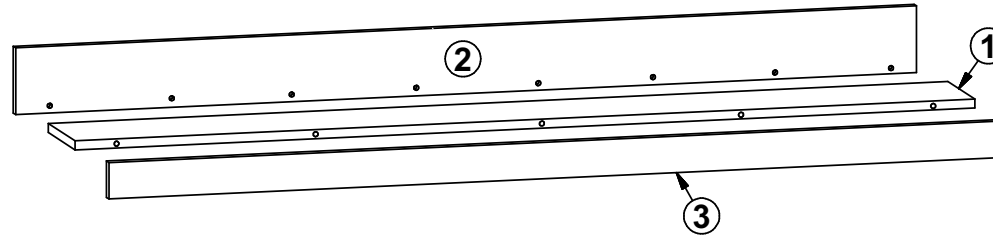


26



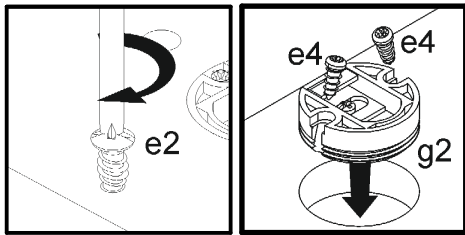
φ10 mm



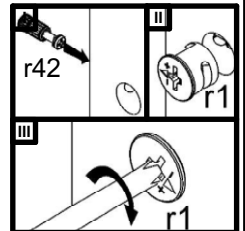
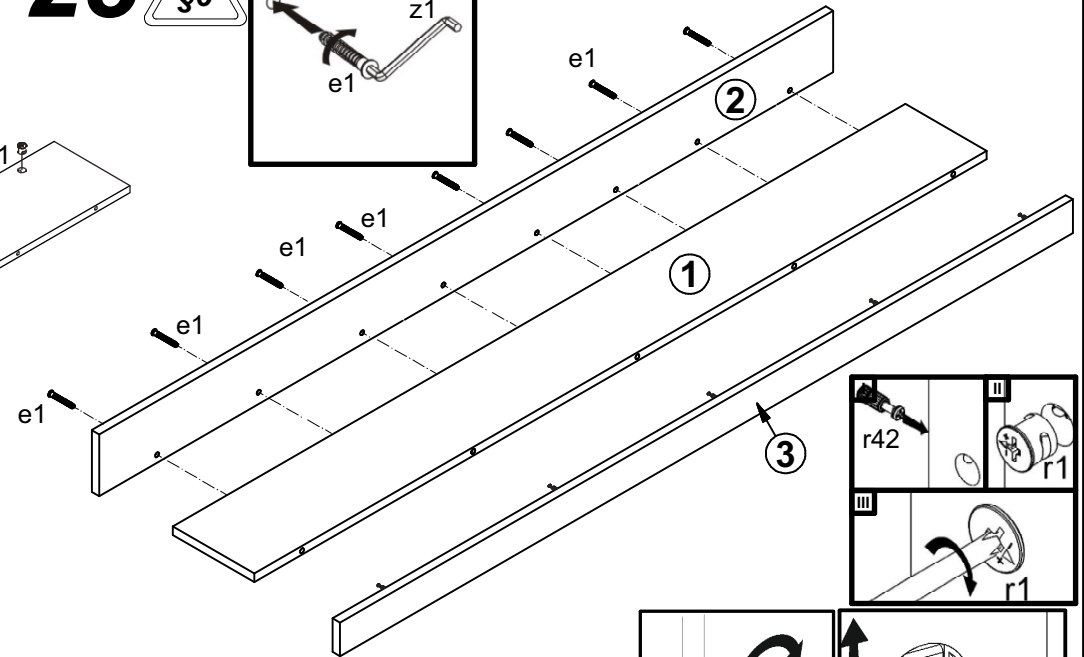
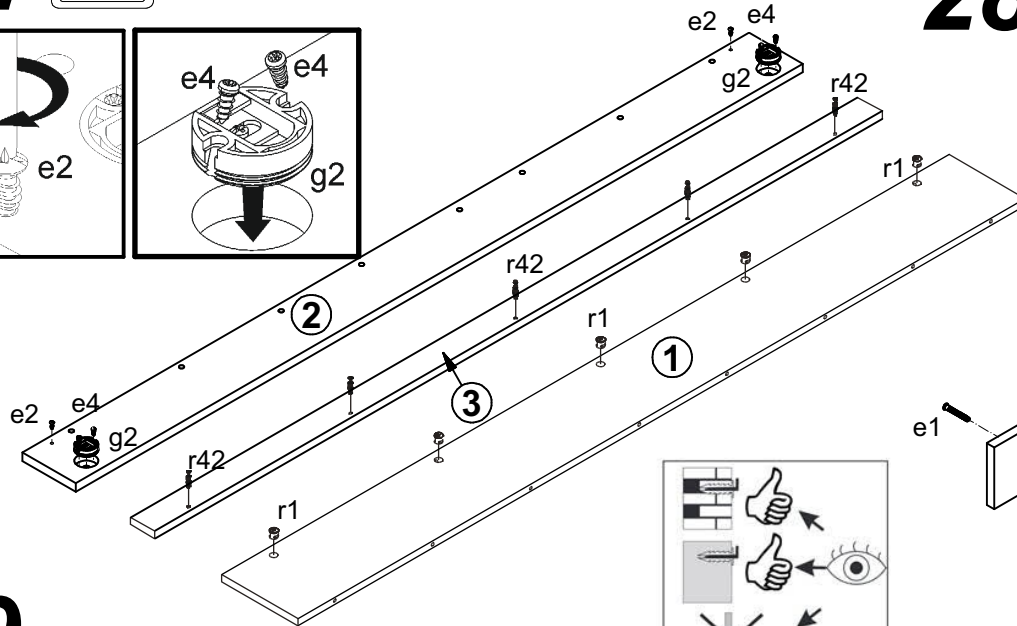
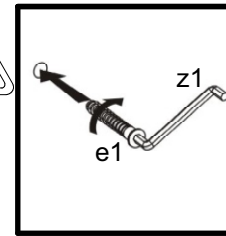


A	B	C (mm)		D
1	N78-312	1509	168	1/4
2	N78-402	1510	110	1/4
3	N78-514	1510	60	1/4

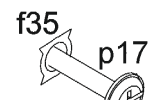
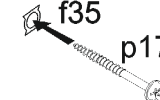
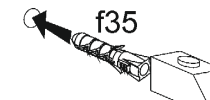
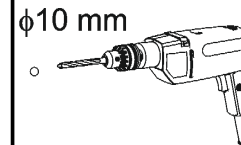
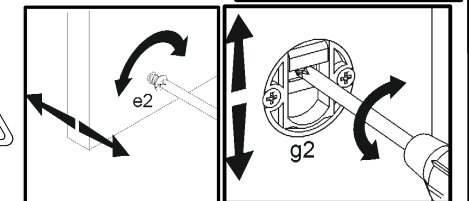
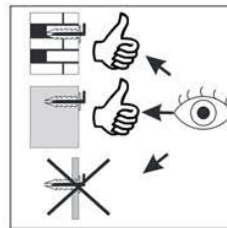
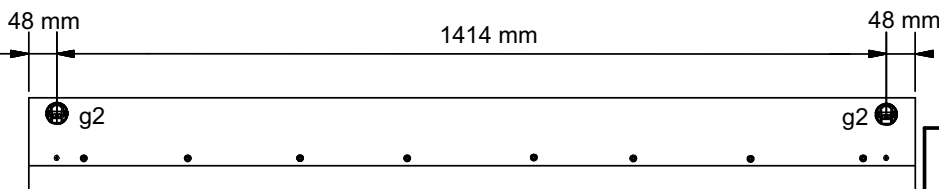
27



28



29



30

